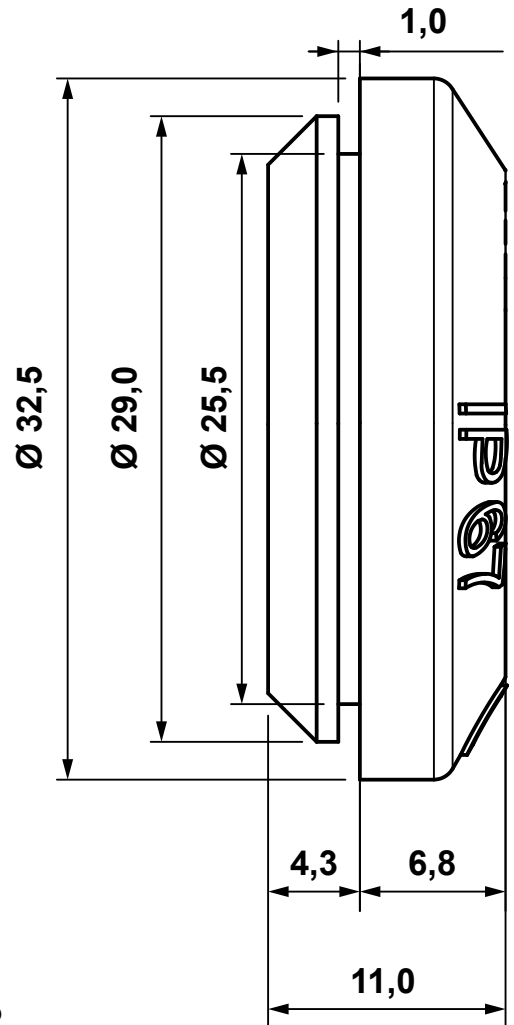
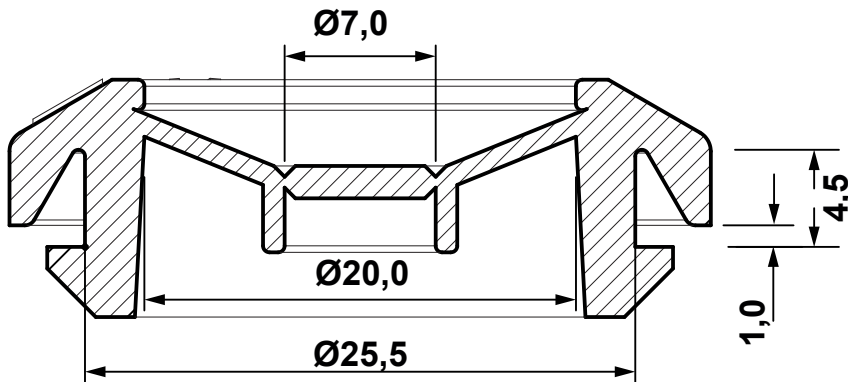
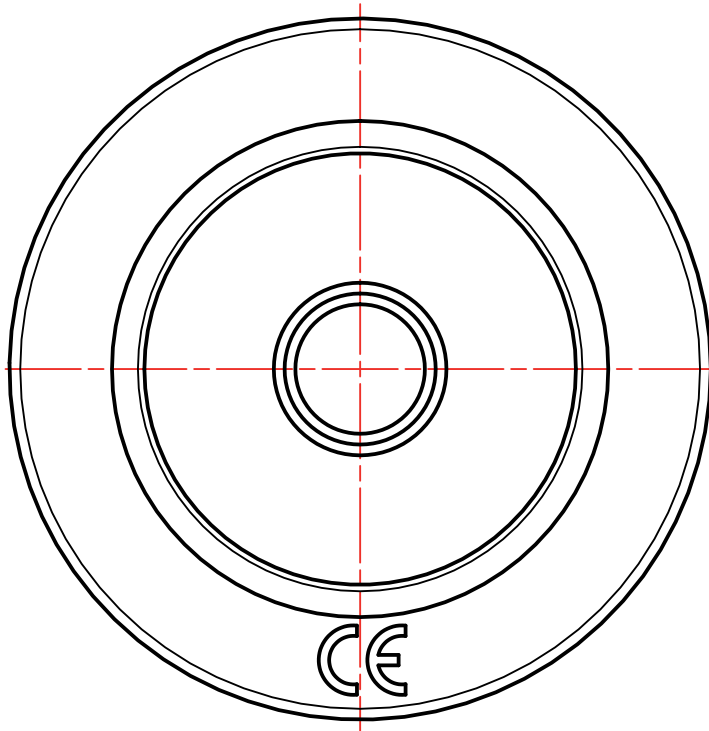


DIM.	TOL.
5mm DOWN	±0.2
5~20mm	±0.3
20~40mm	±0.4
40~60mm	±0.5
60~100mm	±0.8
100mm UP	±1.0



REVISIONS			
REV	DESCRIPTION	DATE	BY



**MAX. PANEL THICKNESS: MIN. 1,0 ... MAX. 4,5**  
**HOLE PANEL: 25,5**  
**WORKING TEMPERATURE: -40°C ... + 130°C**  
**PROTECTION IP65**

P/N	color	material
22003PF019011	RAL 9011	TPE-SEBS
22003PF119010	RAL 9010	TPE-SEBS
22003PF117035	RAL 7035	TPE-SEBS
22003PV02	WHITE	TPE-SEBS V0

		TITLE <b>GROMMET</b>	
		MATERIAL SEE ABOVE	DATE 04/04/2022
PART NUMBER SEE ABOVE		DRAWING NUMBER 22.04.04.22003.0.E	
SIZE A4		SCALE 1:1	UNIT mm.
REV A		UNLESS OTHERWISE SPECIFIED TOLERANCE SEE ABOVE	
DRAWN A.C.		CHECK	
APPROVED			