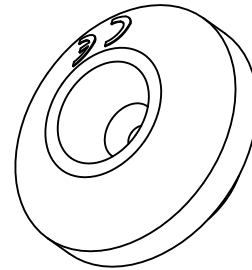
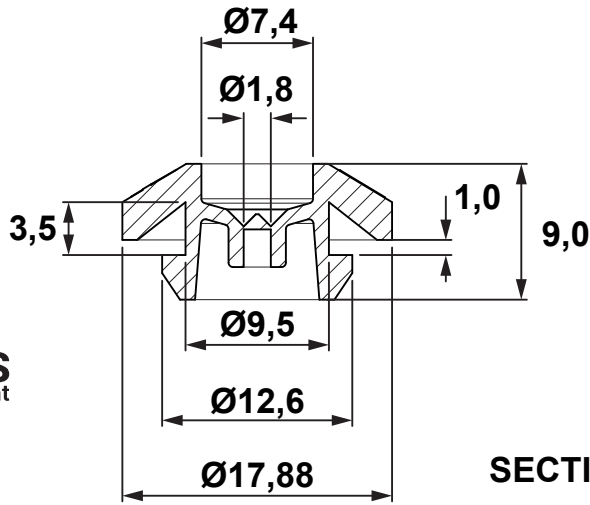
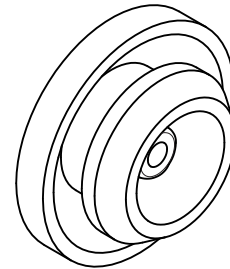
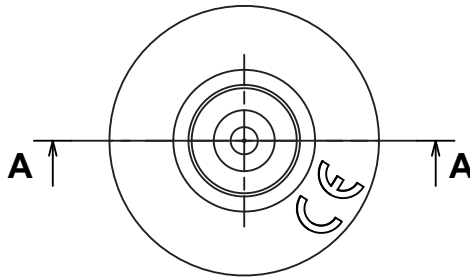


DIM.	TOL.
5mm DOWN	±0.2
5~20mm	±0.3
20~40mm	±0.4
40~60mm	±0.5
60~100mm	±0.8
100mm UP	±1.0

REVISIONS			
REV	DESCRIPTION	DATE	BY



SECTION A-A



P/N	color	material
16464PF019011	RAL 9011	TPE-SEBS
16464PF119010	RAL 9010	TPE-SEBS
16464PF117035	RAL 7035	TPE-SEBS
16464PV02	WHITE	TPE-SEBS V0

MAX. PANEL THICKNESS: 3,5
HOLE PANEL: 9,5
WORKING TEMPERATURE: -40°C ... + 130°C
PROTECTION IP65

		TITLE GROMMET	
		MATERIAL SEE ABOVE	DATE 04/04/2022
PART NUMBER SEE ABOVE		DRAWN A.C.	
		DRAWING NUMBER 22.04.04.16464.0.E	
SIZE A4		COLOR SEE ABOVE	
SCALE 2:1		CHECK 	
UNIT mm.		UNLESS OTHERWISE SPECIFIED TOLERANCE SEE ABOVE	
REV A		APPROVED	