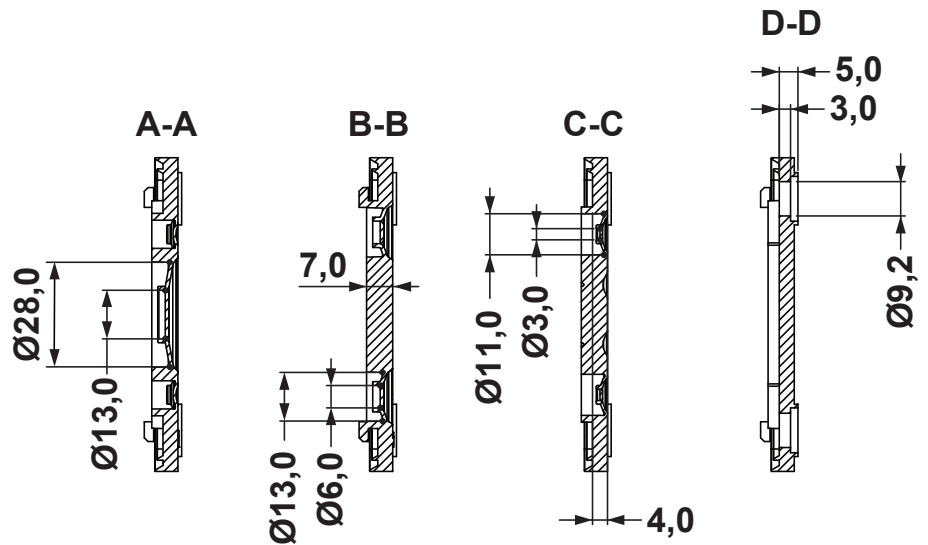
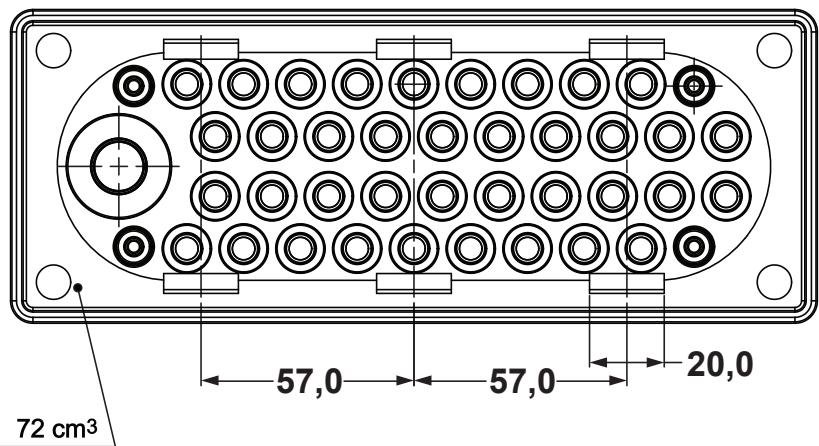
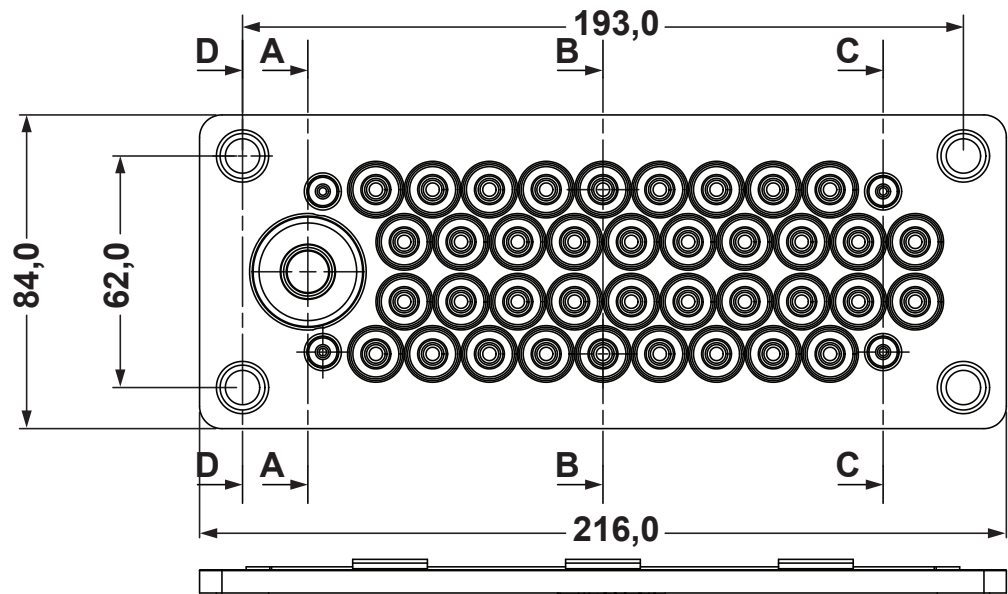


REVISIONS			
REV	DESCRIPTION	DATE	BY



**NOTES:**

**Working temperature:** -40°C/+130°C

**Measurements C-hole:**

- 216mm x 84mm
- Fastening hole: 10 mm
- Fastening holes distance: 193 mm / 62 mm

**Lead-throught:**

- 4x4mm-10,5mm
- 38x7mm-12,5mm
- 1x14mm-27,5mm
- max 43 cables

**Halogen-free / oil splatter resistant / in and outdoor**

**Index of protection: IP65**

REV.	DESCRIPTION	DATE	TITLE: MODULAR GLAND PLATES IP 65 – PRECONFIGURATE	DWG UNIT: MM
	MATERIAL: TPE – SEBS 50 Sha		Modelled in RHINO 4.0	FILE: 09/04/20
	COLOUR: GREY RAL 7035		TOLLERANCES UNLESS NOTED	DwN: DT:20.04.09.12103.E.0
			2768-mK	ChkD: Part Number: 12103PF117035
			SCALE: NTS	

