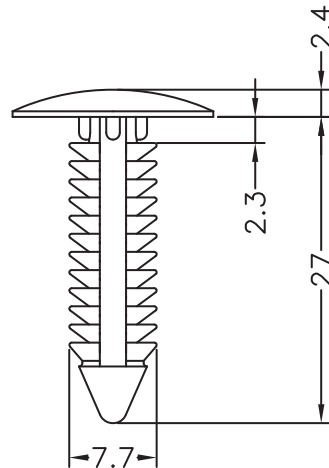
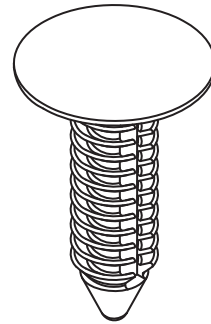
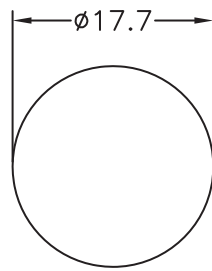



| DIM. | TOL |
|----------|------|
| 5mm DOWN | ±0.2 |
| 5~20mm | ±0.3 |
| 20~40mm | ±0.4 |
| 40~60mm | ±0.5 |
| 60~100mm | ±0.8 |
| 100mm UP | ±1.0 |

| REVISIONS | | | |
|-----------|-------------|------|----|
| REV | DESCRIPTION | DATE | BY |
| | | | |
| | | | |



| | | | | | |
|---|--------------|--------------------------------------|----------|--|--------------------|
|  | | | | TITLE PINE TREE CLIP | |
| | | | | MAIERIAL PA66 V2 UL94 | DATE 17/05/2011 |
| | | | | FINISH | DRAWN D.C. |
| PART NUMBER 10510AA01 | | DRAWING NUMBER 11.05.17.10510.0.E | | COLOR BLACK | CHECK |
| SIZE A4 | SCALE 3:2 | UNIT mm. | REV A | UNLESS OTHERWISE SPECIFIED TOLERANCE SEE ABOVE | APPROVED |