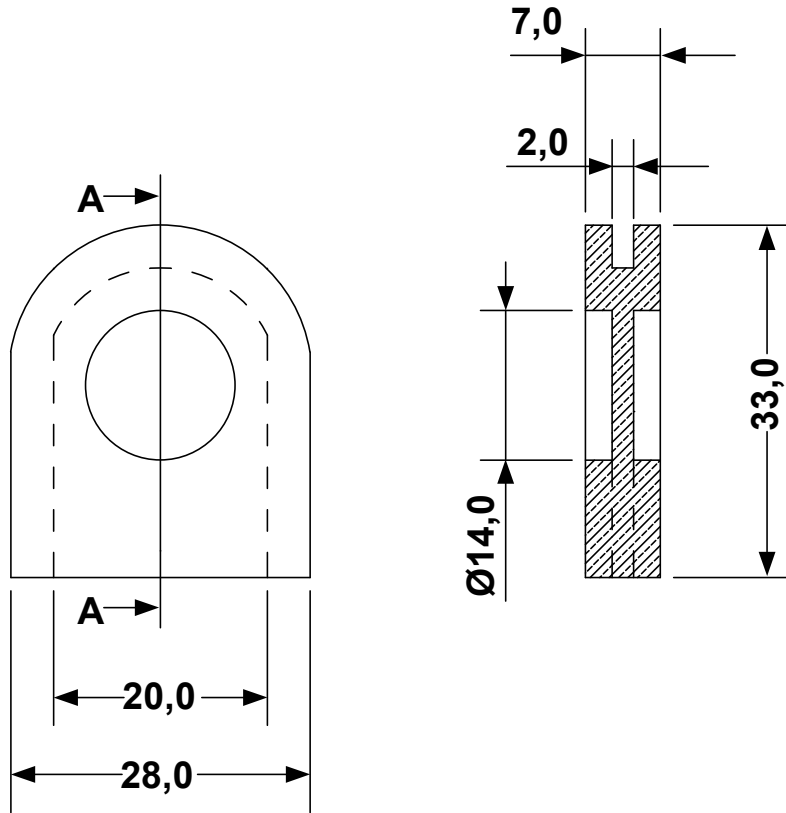


DIM.	TOL
L < 5	±0.2
5 < L ≤ 20	±0.3
20 < L ≤ 40	±0.5
40 < L ≤ 60	±0.7
60 < L ≤ 100	±0.8
ABOVE 100	±1.0

REVISIONS			
REV	DESCRIPTION	DATE	BY



TITLE SOFT SPECIAL CABLE GROMMETS		MATERIAL PVC HB(UL94)		DATE 29/08/2017	
		FINISH		DRAWN R.F.	
PART NUMBER 3550CA01M		DRAWING NUMBER 17.08.29.3550.E.0		COLOR BLACK	
SIZE A4		SCALE NONE		UNLESS OTHERWISE SPECIFIED TOLERANCE SEE ABOVE	
UNIT mm		REV A		CHECK	
APPROVED				APPROVED	