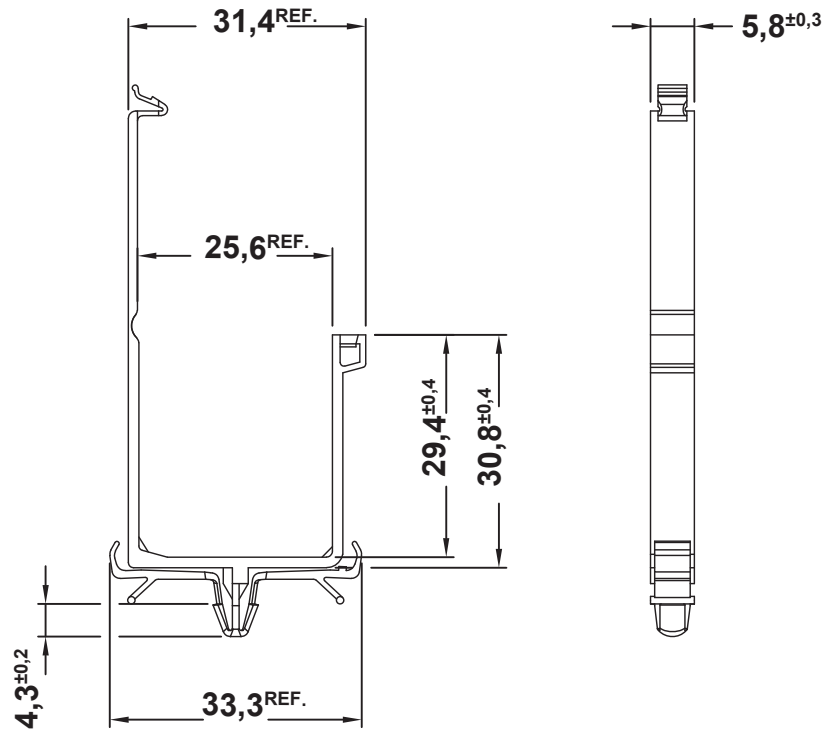



DIM.	TOL
L ≤ 10	±0.2
10 < L ≤ 30	±0.3
30 < L ≤ 50	±0.5
50 < L ≤ 100	±0.7
100 < L ≤ 250	±1.2
ABOVE 250	±1.5

REVISIONS			
REV	DESCRIPTION	DATE	BY



MOUNTING HOLE: Ø 4,8
PANEL THICKNESS: 0,8-2,3

		TITLE WIRE MOUNT	
		MATERIAL PA 66	DATE 29/07/2022
PART NUMBER 18255AR00		DRAWING NUMBER 22.07.29.18255.x.E	
SIZE A4		SCALE 3:2	
UNIT mm.		REV A	
COLOR NATURAL		CHECK	
UNLESS OTHERWISE SPECIFIED TOLERANCE SEE ABOVE		APPROVED	