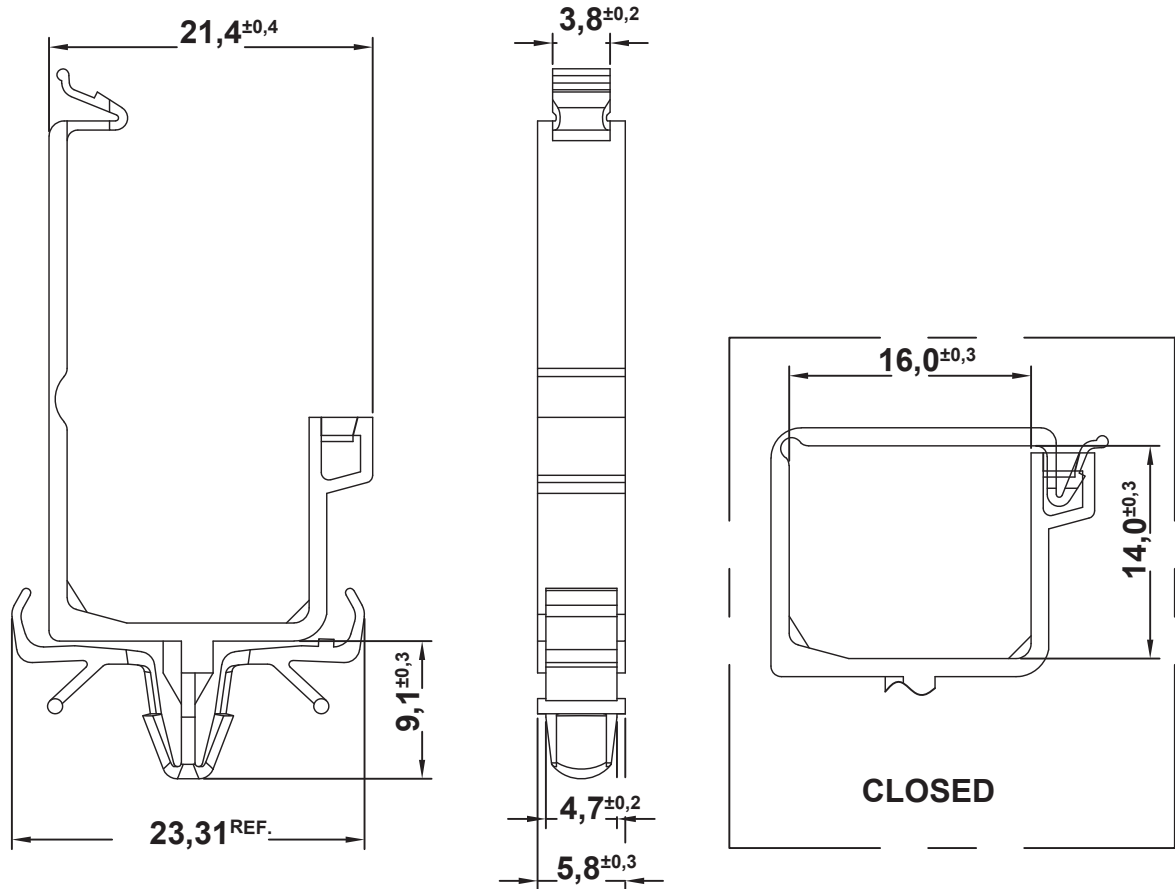


DIM.	TOL
L ≤ 10	±0.2
10 < L ≤ 30	±0.3
30 < L ≤ 50	±0.5
50 < L ≤ 100	±0.7
100 < L ≤ 250	±1.2
ABOVE 250	±1.5

REVISIONS			
REV	DESCRIPTION	DATE	BY



MOUNTING HOLE: Ø 4,8
PANEL THICKNESS: 0,8-2,3



TITLE WIRE MOUNT		MATERIAL PA 66		DATE 29/07/2022	
		UL94V-0		DRAWN A.C.	
PART NUMBER 18253AR00		DRAWING NUMBER 22.07.29.18253.x.E		COLOR NATURAL	CHECK
SIZE A4	SCALE 2:1	UNIT mm.	REV A	UNLESS OTHERWISE SPECIFIED TOLERANCE SEE ABOVE	
				APPROVED	