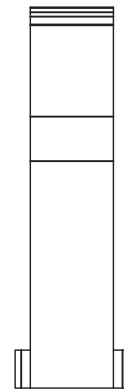
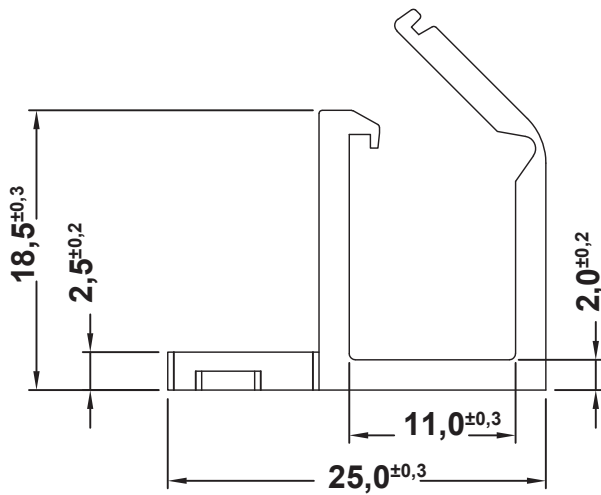
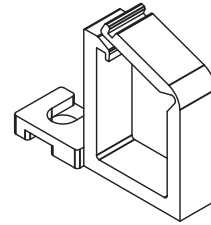
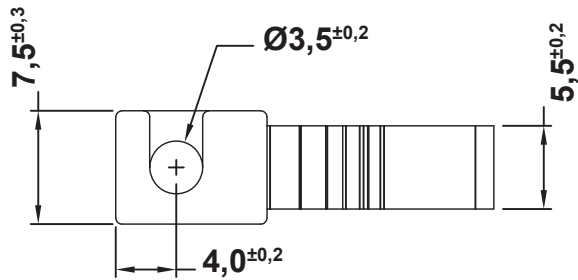



DIM.	TOL
L ≤ 10	±0.2
10 < L ≤ 30	±0.3
30 < L ≤ 50	±0.5
50 < L ≤ 100	±0.7
100 < L ≤ 250	±1.2
ABOVE 250	±1.5

REVISIONS			
REV	DESCRIPTION	DATE	BY



		TITLE WIRE MOUNT	
		MATERIAL PA 66	DATE 28/07/2022
PART NUMBER 18242AR00		UL94V-0	DRAWN A.C.
DRAWING NUMBER 22.07.28.18242x.E		COLOR NATURAL	CHECK
SIZE A4	SCALE 2:1	UNIT mm.	REV A
		UNLESS OTHERWISE SPECIFIED TOLERANCE SEE ABOVE	APPROVED