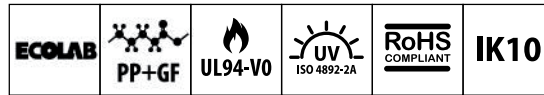
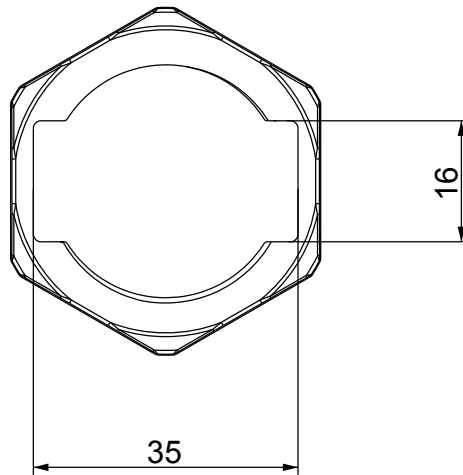
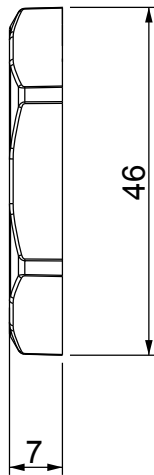
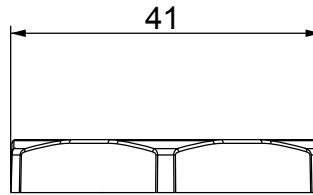
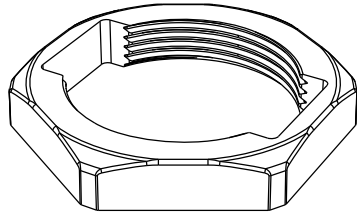



DIM.	TOL.
5mm DOWN	±0.2
5~20mm	±0.3
20~40mm	±0.4
40~60mm	±0.5
60~100mm	±0.8
100mm UP	±1.0

REVISIONS			
REV	DESCRIPTION	DATE	BY



Working temperature: -40°C ... +155°C
 Properties: halogen-free, silicone-free

		TITLE LOCKNUT	
		MATERIAL PP+GF	DATE 23/09/2022
PART NUMBER 16446FG01		V0(UL94)	DRAWN A.C.
DRAWING NUMBER 22.09.23.16446.0.E		COLOR BLACK	CHECK
SIZE A4	SCALE 1:1	UNIT mm.	REV A
UNLESS OTHERWISE SPECIFIED TOLERANCE		SEE ABOVE	APPROVED