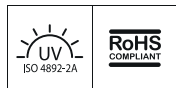
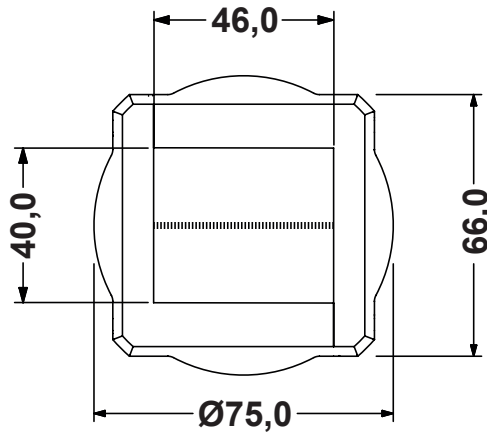
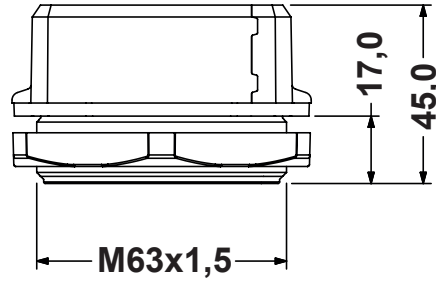


REVISIONS			
REV	DESCRIPTION	DATE	BY



Flammability: UL94-V0, self-extinguishing
 Temperature: -40°C ... +155°C
 Properties: halogen-free, silicone-free



PART NUMBER 16034FG01		DRAWING NUMBER 19.10.07.16034.0.E		TITLE SPLITTABLE FRAME AND LOCKNUT WITH DOUBLE BRUSH	
MATERIAL PP+GF		DATE 07/10/2019		DRAWN R.F.	
				CHECK	
				APPROVED	
SIZE A4	SCALE NTS	UNIT mm.	REV A	UNLESS OTHERWISE SPECIFIED TOLERANCE	