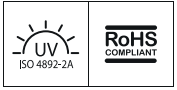
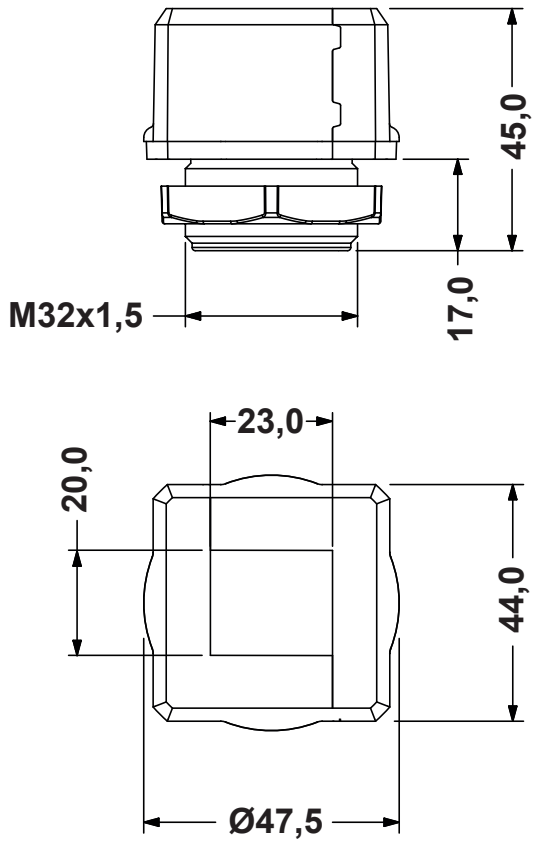



REVISIONS			
REV	DESCRIPTION	DATE	BY



Flammability: UL94-V0, self-extinguishing  
 Temperature: -40°C ... +155°C  
 Properties: halogen-free, silicone-free

				TITLE <b>SPLITTABLE FRAME AND LOCKNUT WITH DOUBLE BRUSH</b>	
				MATERIAL PP+GF	DATE 07/10/2019
PART NUMBER <b>16033FG01</b>				DRAWING NUMBER 19.10.07.16033.0.E	
DRAWING NUMBER 19.10.07.16033.0.E				DRAWN R.F.	
DRAWING NUMBER 19.10.07.16033.0.E				CHECK	
SIZE A4	SCALE NTS	UNIT mm.	REV A	UNLESS OTHERWISE SPECIFIED TOLERANCE	
				APPROVED	