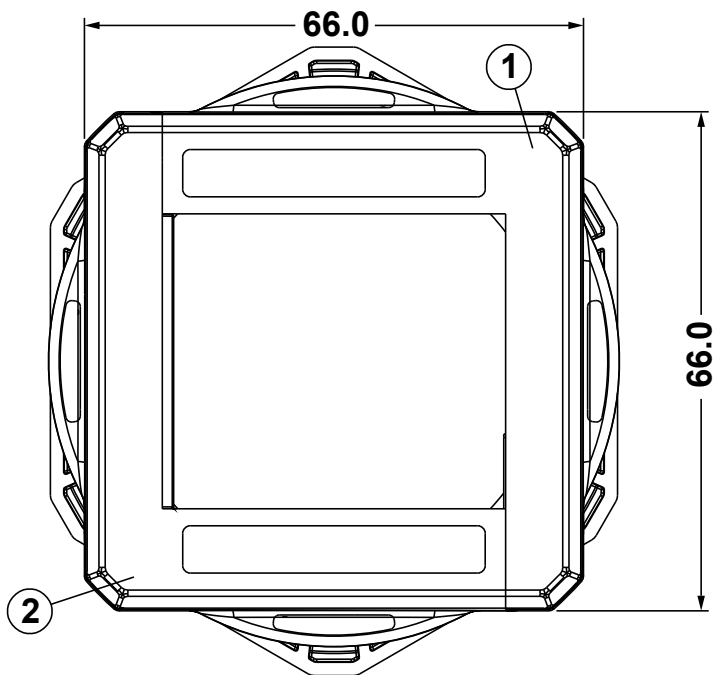
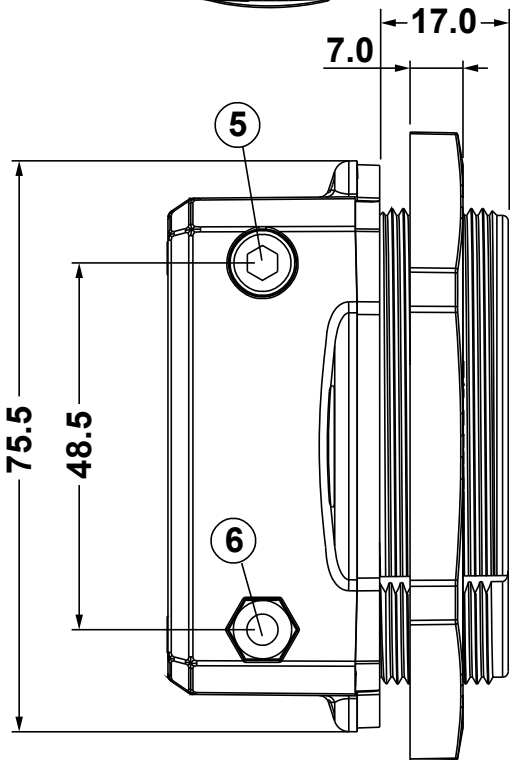
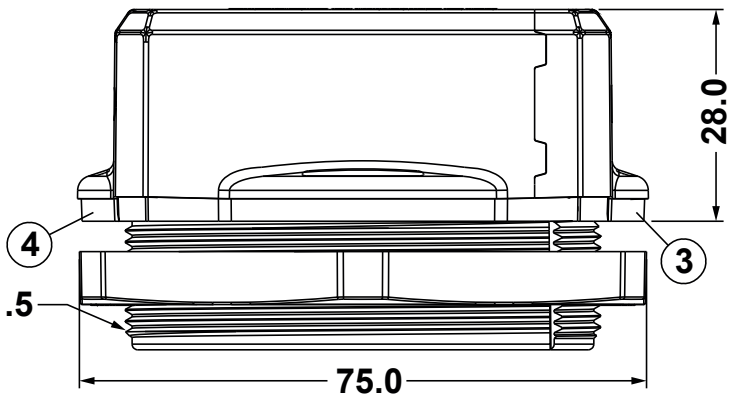
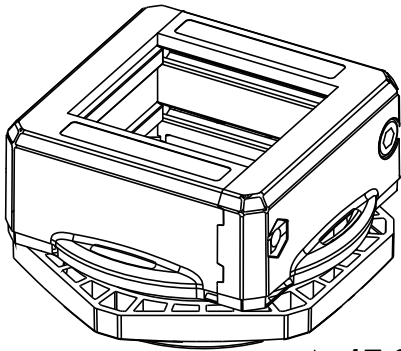


REVISIONS			
REV	DESCRIPTION	DATE	BY




M63x1.5

ID	Desc.	Material	Quant.
1	Top	PP + GF	1
2	Bottom	PP + GF	1
3	TPE_Top	TPE	1
4	TPE_Bottom	TPE	1
5	Screw63	SS304	2
6	Nut	SS303	2



Flammability: UL94-V0, self-extinguishing  
 Temperature: -40°C ... +155°C  
 Properties: halogen-free, silicone-free

				TITLE <b>SPLITTABLE CABLE GLAND WITH LOCKNUT</b>	
				MATERIAL SEE ABOVE	
PART NUMBER 16020FG01				DRAWING NUMBER 19.09.09.16020.0.E	
DRAWING NUMBER 19.09.09.16020.0.E				COLOUR FRAME BLACK	
SIZE A4				SCALE 1:1	
UNIT mm.				REV A	
UNLESS OTHERWISE SPECIFIED TOLERANCE				APPROVED	