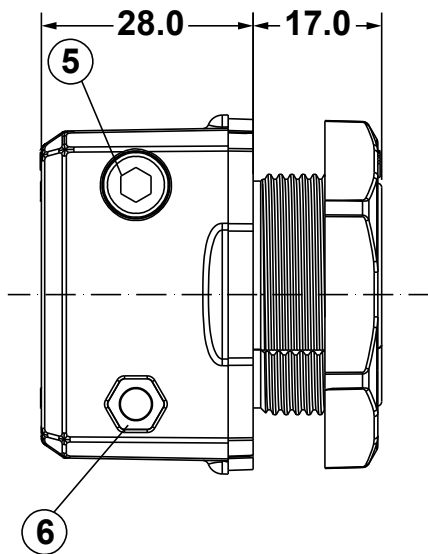
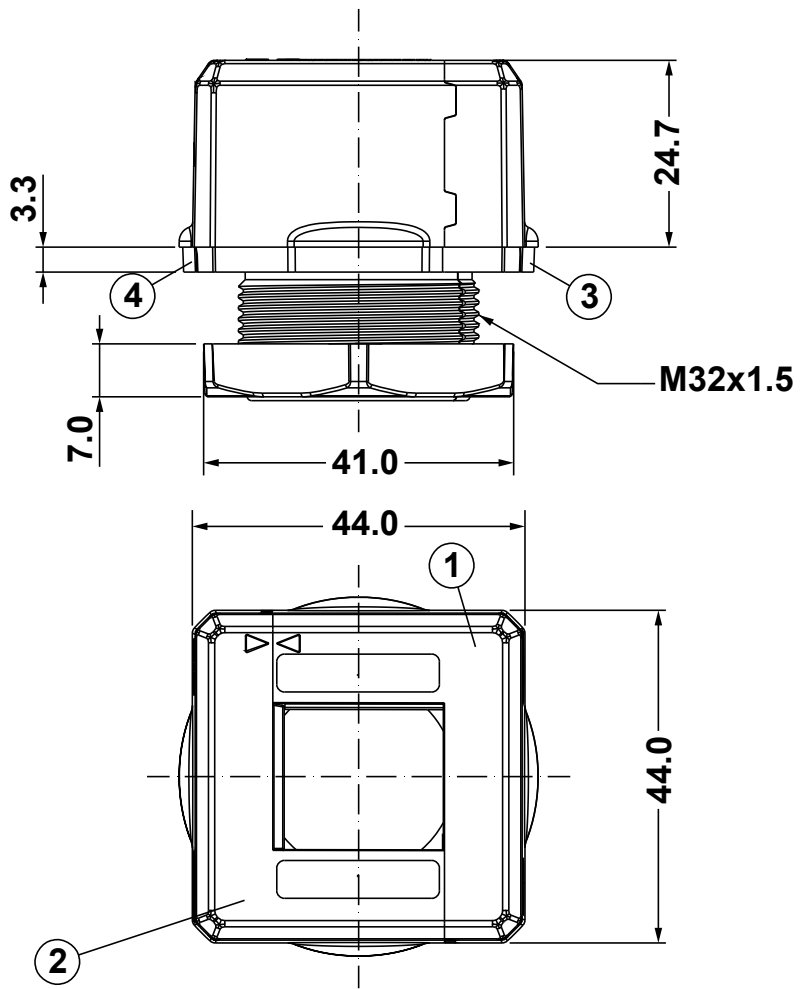
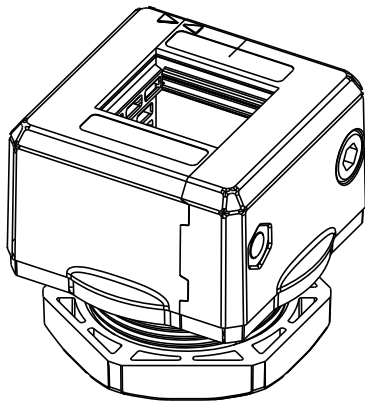


REVISIONS			
REV	DESCRIPTION	DATE	BY



ID	Desc.	Material	Quant.
1	Top	PP + GF	1
2	Bottom	PP + GF	1
3	TPE_Top	TPE	1
4	TPE_Bottom	TPE	1
5	Screw32	SS304	2
6	Nut	SS303	2



Flammability: UL94-V0, self-extinguishing
 Temperature: -40°C ... +155°C
 Properties: halogen-free, silicone-free

				TITLE SPLITTABLE CABLE GLAND WITH LOCKNUT	
				MATERIAL SEE ABOVE	
PART NUMBER 16019FG01				DRAWING NUMBER 19.09.05.16019.0.E	
				COLOUR FRAME BLACK	
SIZE A4	SCALE 1:1	UNIT mm.	REV A	UNLESS OTHERWISE SPECIFIED TOLERANCE	
				APPROVED	