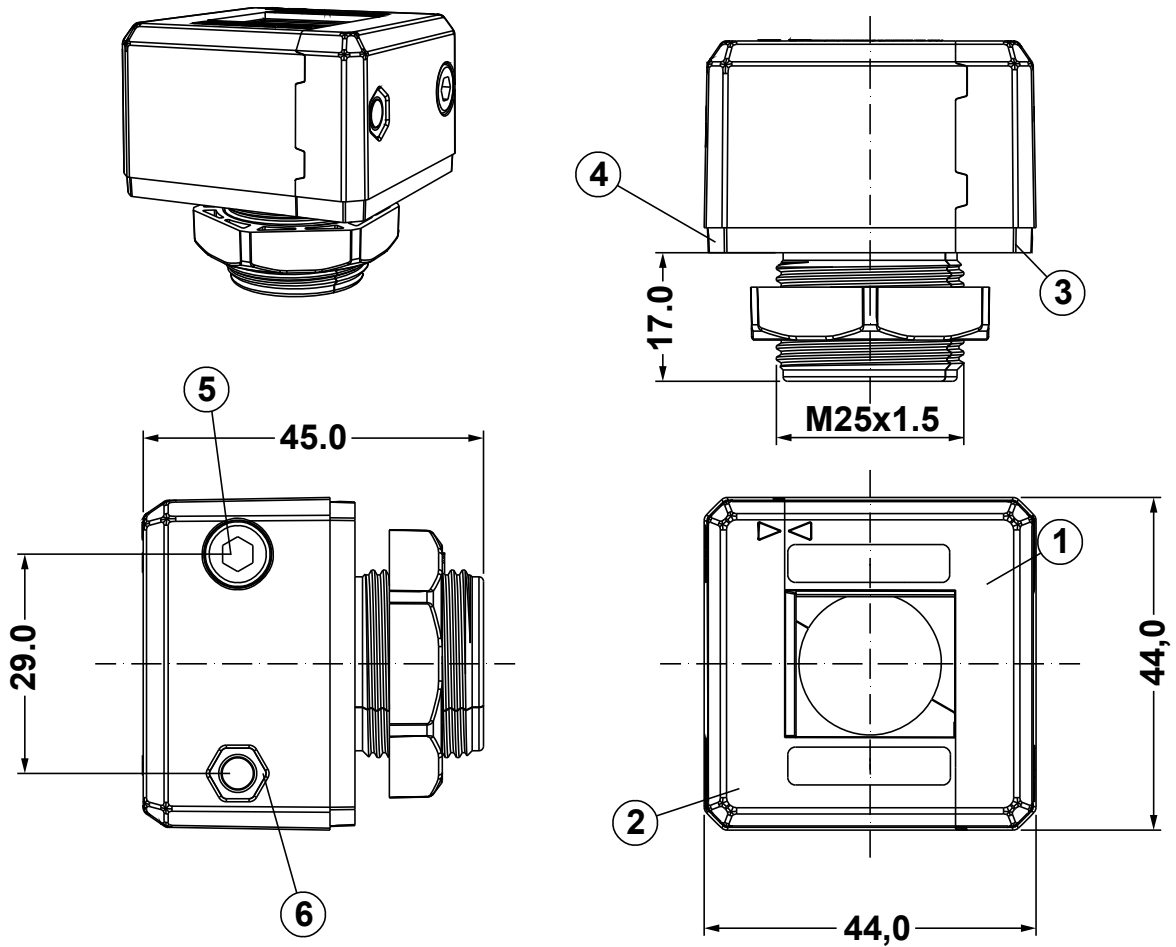


REVISIONS			
REV	DESCRIPTION	DATE	BY



ID	Desc.	Material	Quant.
1	Top	PP + GF	1
2	Bottom	PP + GF	1
3	TPE_Top	TPE	1
4	TPE_Bottom	TPE	1
5	Screw38	SS304	2
6	Nut	SS303	2



Flammability: UL94-V0, self-extinguishing
 Temperature: -40°C ... +155°C
 Properties: halogen-free, silicone-free



TITLE SPLITTABLE CABLE GLAND WITH LOCKNUT	
MATERIAL SEE ABOVE	DATE 05/09/2019
	DRAWN R.F.
COLOUR FRAME BLACK	CHECK
PART NUMBER 16018FG01	DRAWING NUMBER 19.09.05.16018.0.E
UNLESS OTHERWISE SPECIFIED TOLERANCE	APPROVED
SIZE A4	SCALE 1:1
UNIT mm.	REV A