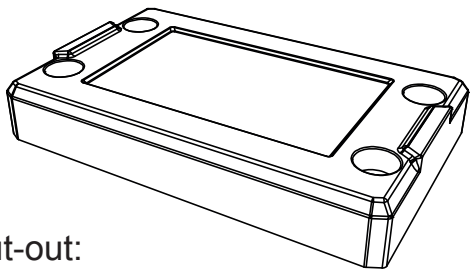
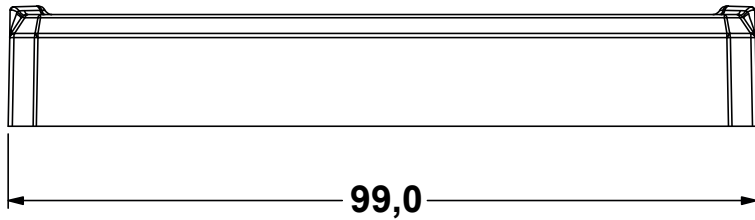
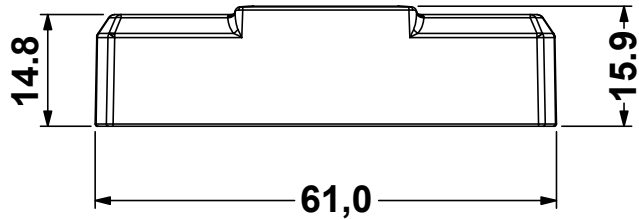
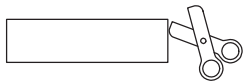


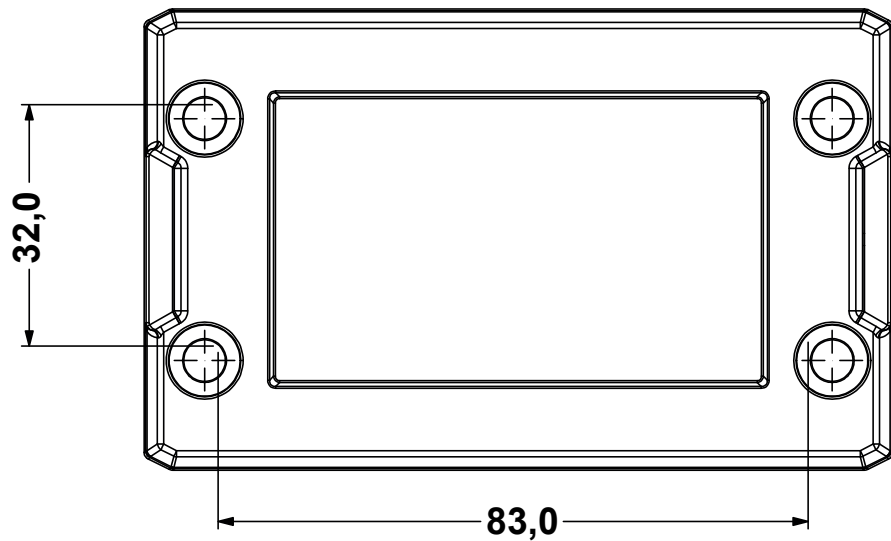
REVISIONS			
REV	DESCRIPTION	DATE	BY



Recommended cut-out:
63 x 39 mm



Flammability: UL94-V0, self-extinguishing
Temperature: -40°C ... +155°C
Properties: halogen-free, silicone-free



	DESCRIPTION	TITLE: CLOSING PLATES	DWG UNIT: MM
MATERIAL:	PP + GF	Modelled in <i>RHINO 4.0</i> FILE:	DwN: 05/09/19
COLOUR:	BLACK	TOLLERANCES UNLESS NOTED	ChkD:
		SHEET: 1 OF 1	DT:19.09.05.16015.0.ElPart Number: 16015FG01
		SCALE: 1:1	
REV.	DATE		