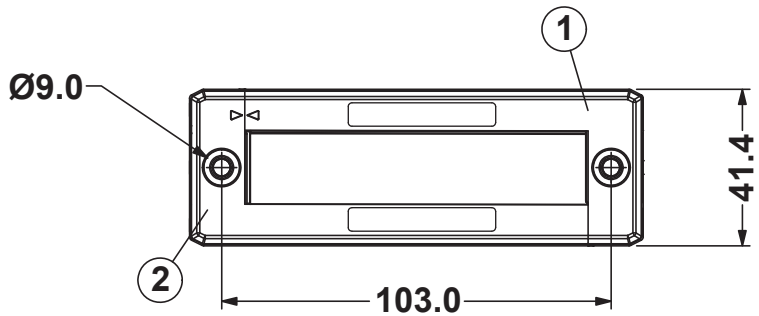
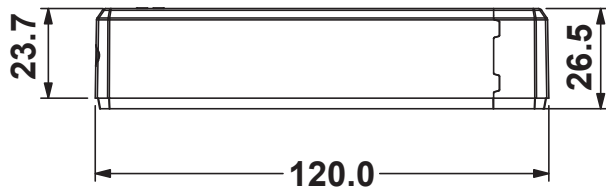
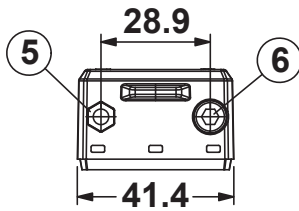
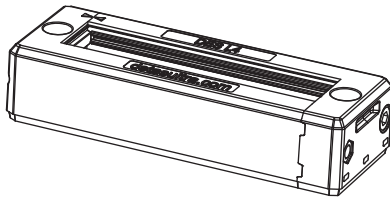
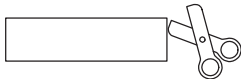


REVISIONS			
REV	DESCRIPTION	DATE	BY



Recommended cut-out:
86 x 18 mm



ID	Description	Material	Q.ty
1	Top	PP + GF	1
2	Bottom	PP + GF	1
3	TPE Top	TPE	1
4	TPE Bottom	TPE	1
5	Nut	SS304	2
6	Screw 114	SS304	2



Flammability: UL94-V0, self-extinguishing
 Temperature: -40°C ... +155°C
 Properties: halogen-free, silicone-free

				TITLE SPLITTABLE FRAME FOR PRE-TERMINATED CABLES	
				MATERIAL SEE ABOVE	
PART NUMBER 16002FG01				DRAWING NUMBER 19.09.05.16002.0.E	
DRAWING NUMBER 19.09.05.16002.0.E				DRAWN R.F.	
DRAWING NUMBER 19.09.05.16002.0.E				CHECK	
DRAWING NUMBER 19.09.05.16002.0.E				APPROVED	
PART NUMBER 16002FG01		DRAWING NUMBER 19.09.05.16002.0.E		COLOUR FRAME BLACK	
SIZE A4	SCALE 1:2	UNIT mm.	REV A	UNLESS OTHERWISE SPECIFIED TOLERANCE	