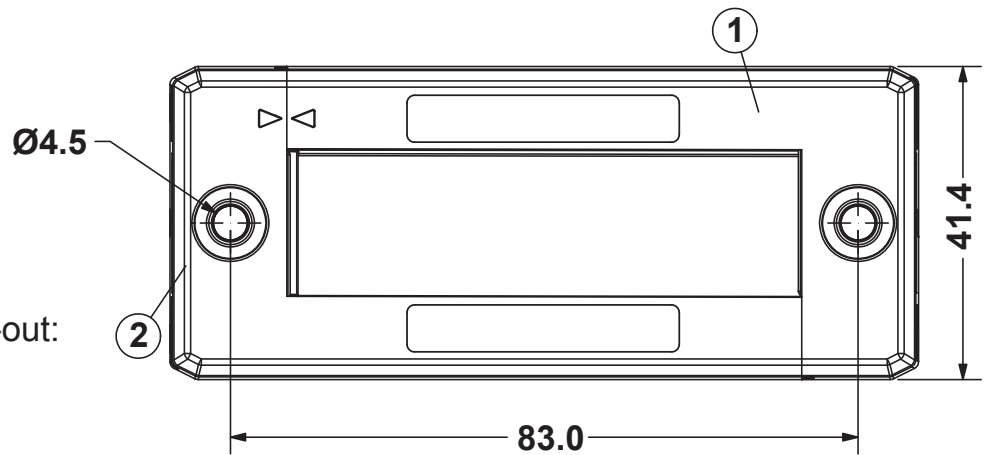
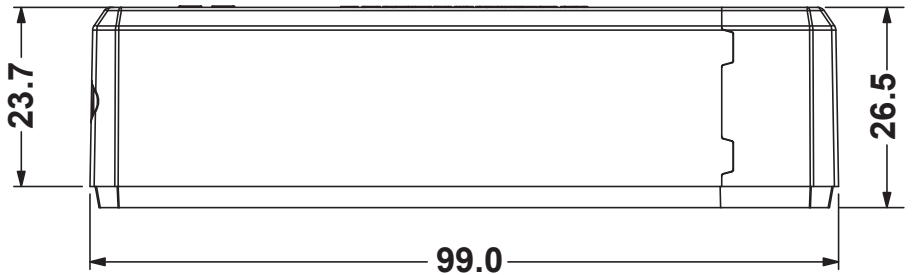
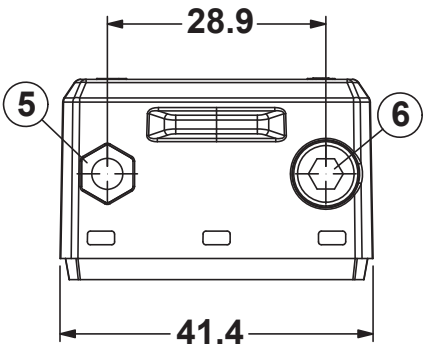
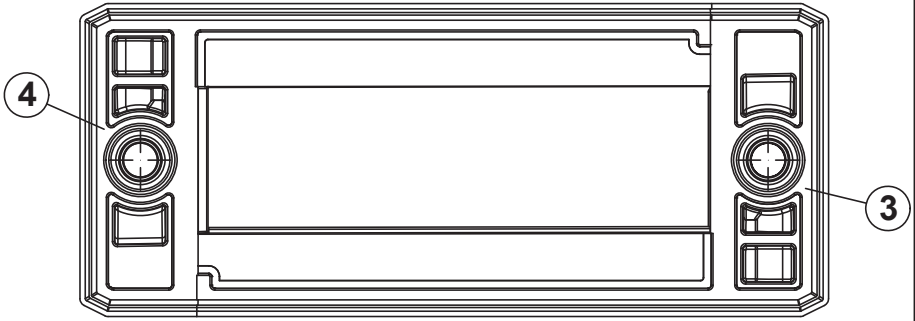
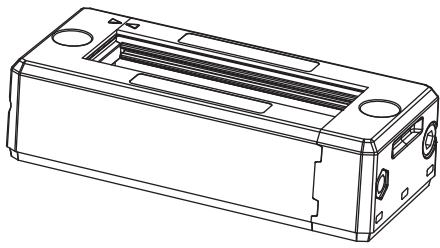
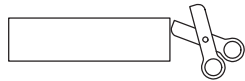


REVISIONS			
REV	DESCRIPTION	DATE	BY



Recommended cut-out:
63 x 18 mm



ID	Description	Material	Q.ty
1	Top	PP + GF	1
2	Bottom	PP + GF	1
3	TPE Top	TPE	1
4	TPE Bottom	TPE	1
5	Nut	SS304	2
6	Screw 93	SS304	2



Flammability: UL94-V0, self-extinguishing
 Temperature: -40°C ... +155°C
 Properties: halogen-free, silicone-free

				TITLE SPLITTABLE FRAME FOR PRE-TERMINATED CABLES	
				MATERIAL SEE ABOVE	
PART NUMBER 16001FG01				DRAWING NUMBER 19.09.05.16001.0.E	
				COLOUR FRAME BLACK	
SIZE A4	SCALE 1:1	UNIT mm.	REV A	UNLESS OTHERWISE SPECIFIED TOLERANCE	
				APPROVED	