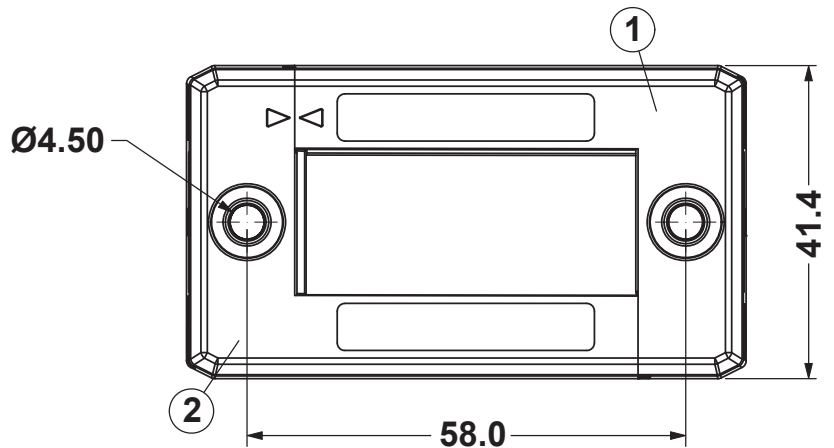
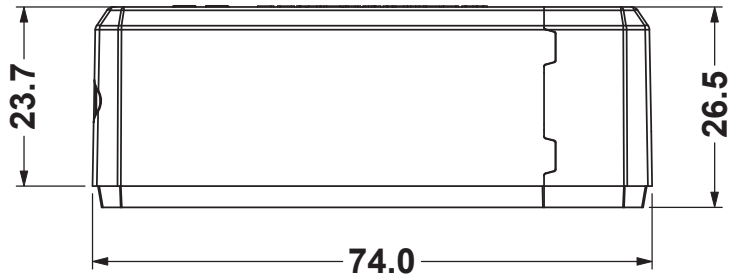
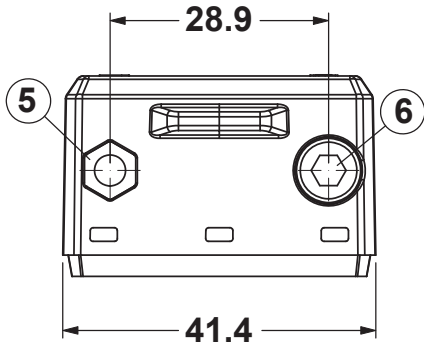
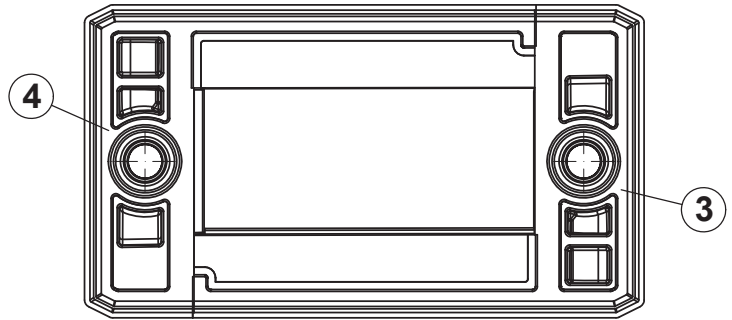
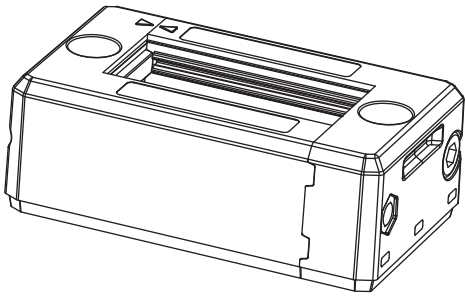


REVISIONS			
REV	DESCRIPTION	DATE	BY



Recommended cut-out:  
40 x 18 mm



ID	Description	Material	Q.ty
1	Top	PP + GF	1
2	Bottom	PP + GF	1
3	TPE Top	TPE	1
4	TPE Bottom	TPE	1
5	Nut	SS304	2
6	Screw 68	SS304	2



Flammability: UL94-V0, self-extinguishing  
 Temperature: -40°C ... +155°C  
 Properties: halogen-free, silicone-free

				TITLE <b>SPLITTABLE FRAME FOR PRE-TERMINATED CABLES</b>	
				MATERIAL SEE ABOVE	
PART NUMBER 16000FG01				DRAWING NUMBER 19.09.05.16000.0.E	
DRAWING NUMBER 19.09.05.16000.0.E				COLOUR FRAME BLACK	
SCALE 1:1				CHECK	
UNIT mm.				APPROVED	
REV A				UNLESS OTHERWISE SPECIFIED TOLERANCE	