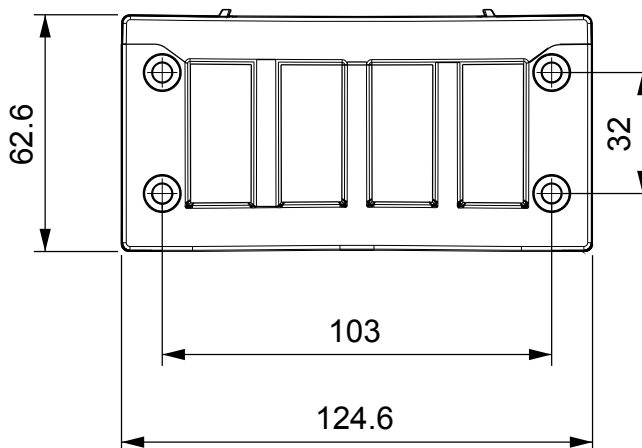
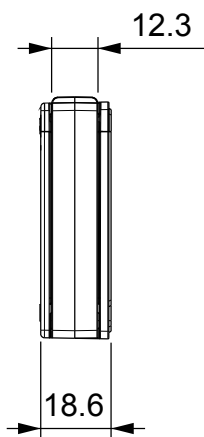
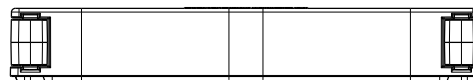
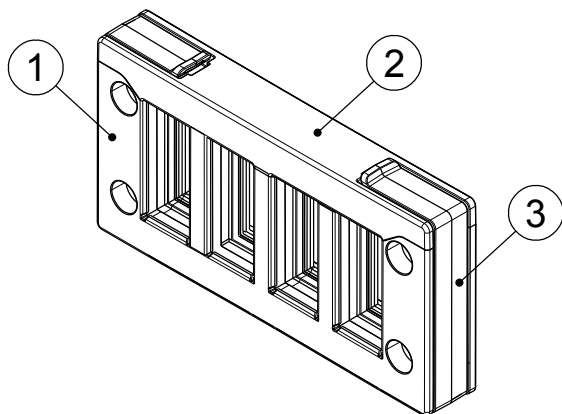
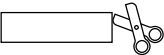



DIM.	TOL.
5mm DOWN	±0.2
5~20mm	±0.3
20~40mm	±0.4
40~60mm	±0.5
60~100mm	±0.8
100mm UP	±1.0

REVISIONS			
REV	DESCRIPTION	DATE	BY



Temperature: -40°C ... +130°C
 Properties: halogen-free, silicone-free

Id	Description	Material	Q.	Recommended cut-out: 86 x 36 mm 	UL US	IP54	NEMA 12	HL3 EN 45545-2	APPROVED MARKING TYPE
1	Frame	PP+GF	1						
2	Cover	PP+GF	1						
3	Hook	PP+GF	2						
4	Gasket (not visible)	NBR	1	ECOLAB	UL94-V0	UV ISO 4892 2A	RoHS COMPLIANT	IK10	

				TITLE SPLITTABLE FRAMES					
				MATERIAL SEE TABLE			DATE 03/08/2022		
				UL94-V0			DRAWN A.C.		
PART NUMBER 15967FG01		DRAWING NUMBER 22.08.3.15967.0.E		COLOR BLACK		CHECK			
SIZE A4	SCALE 1:2	UNIT mm.	REV A	UNLESS OTHERWISE SPECIFIED TOLERANCE SEE ABOVE		APPROVED			