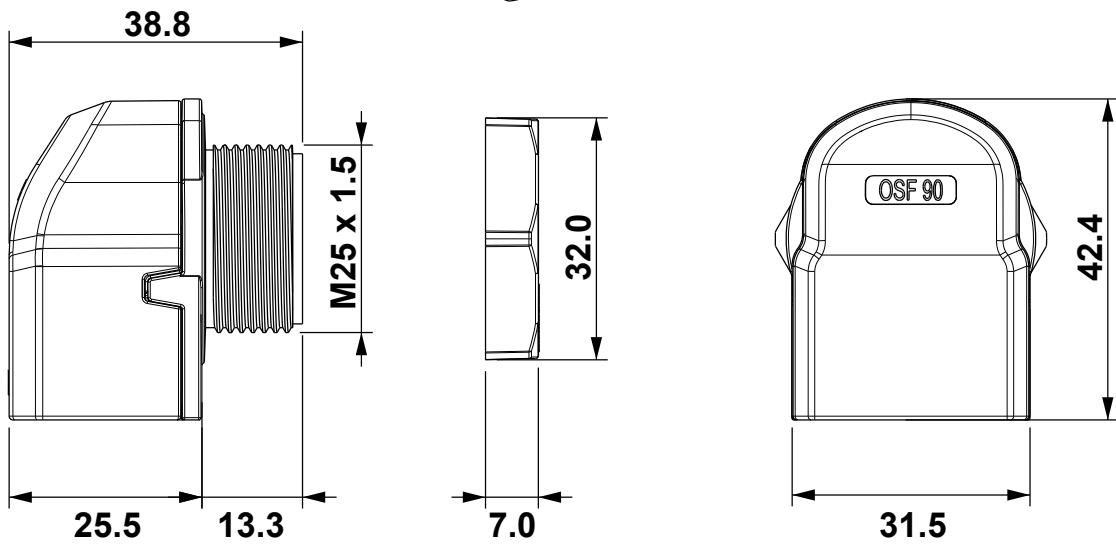
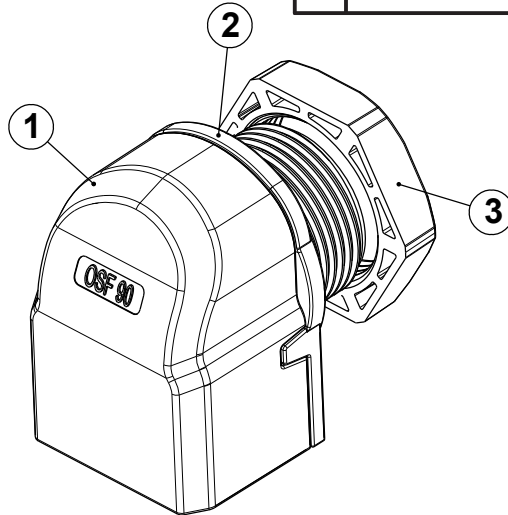


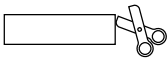
DIM.	TOL.
5mm DOWN	±0.2
5~20mm	±0.3
20~40mm	±0.4
40~60mm	±0.5
60~100mm	±0.8
100mm UP	±1.0

REVISIONS			
REV	DESCRIPTION	DATE	BY



Reccomended cut-out::

Ø25.5mm



	<b>IP54</b>	<b>NEMA 12</b>	<b>UL TYPE 12</b>					<b>IK10</b>
--	-------------	----------------	-------------------	--	--	--	--	-------------

Temperature: -40°C ... +130°C  
 Properties: halogen-free, silicone-free

Part Number	Color
<b>15949FG01</b>	BLACK
<b>15949FG11</b>	GREY

Compatible with:

Id	Description	Material	Q.ty
1	Cover	PC	1
2	Body	PC	1
3	M25 Locknut	PA	1
4	Gasket (not shown)	NBR	1

	Single	Double	Quadruple
From	15913PSxx	15927PSxx	15933PSxx
To	15925PSxx	15932PSxx	15938PSxx

		TITLE	
		<b>DIVISIBLE CABLE GLANDS WITH 90° ENTRY</b>	
PART NUMBER		MATERIAL	DATE
SEE TABLE		SEE TABLE	01/02/2022
DRAWING NUMBER		V0(UL94)	DRAWN
22.02.1.15949.0.E			A.C.
SIZE		COLOR	CHECK
A4	SCALE	SEE TABLE	
1:1	UNIT	UNLESS OTHERWISE SPECIFIED TOLERANCE	APPROVED
mm.	REV	SEE ABOVE	
A			