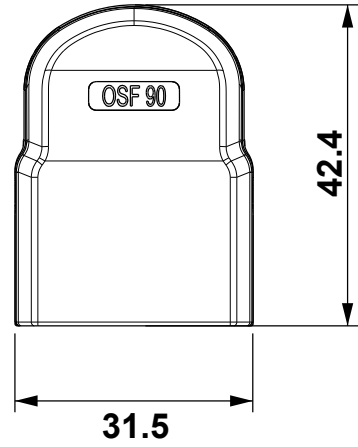
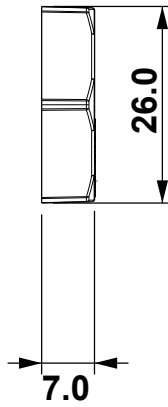
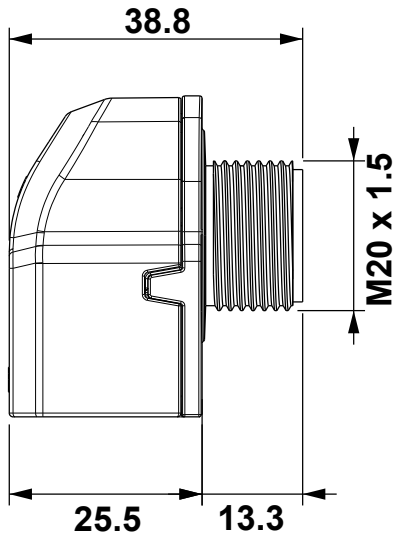
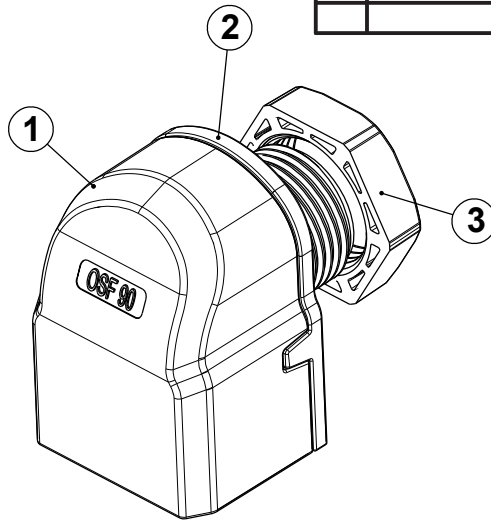


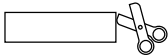
DIM.	TOL.
5mm DOWN	±0.2
5~20mm	±0.3
20~40mm	±0.4
40~60mm	±0.5
60~100mm	±0.8
100mm UP	±1.0

REVISIONS			
REV	DESCRIPTION	DATE	BY



Reccomended cut-out::

Ø20.5mm



	IP54	NEMA 12	UL TYPE 12					IK10
--	-------------	----------------	-------------------	--	--	--	--	-------------

Temperature: -40°C ... +130°C
 Properties: halogen-free, silicone-free

Part Number	Color
15948FG01	BLACK
15948FG11	GREY

Compatible with:

Id	Description	Material	Q.ty
1	Cover	PC	1
2	Body	PC	1
3	M20 Locknut	PA	1
4	Gasket (not shown)	NBR	1

	Single	Double	Quadruple
From	15913PSxx	15927PSxx	15933PSxx
To	15925PSxx	15930PSxx	15936PSxx

		TITLE		DIVISIBLE CABLE GLANDS WITH 90° ENTRY	
		MATERIAL		SEE TABLE	
PART NUMBER		DRAWING NUMBER		DATE	
SEE TABLE		22.02.1.15948.0.E		01/02/2022	
SIZE		SCALE		DRAWN	
A4		1:1		A.C.	
UNIT		REV		CHECK	
mm.		A			
TOLERANCE		UNLESS OTHERWISE SPECIFIED		APPROVED	
SEE ABOVE					