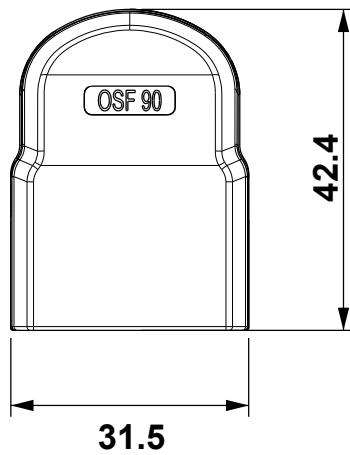
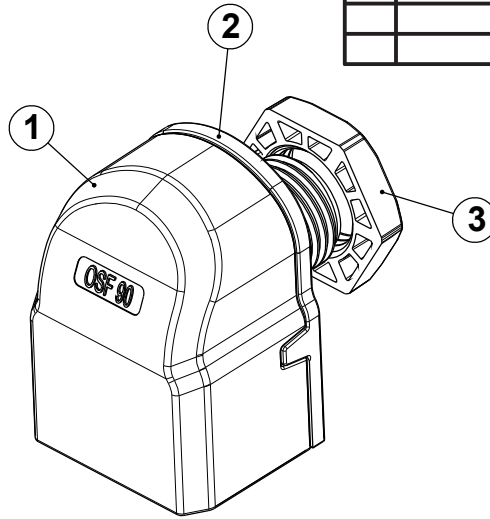
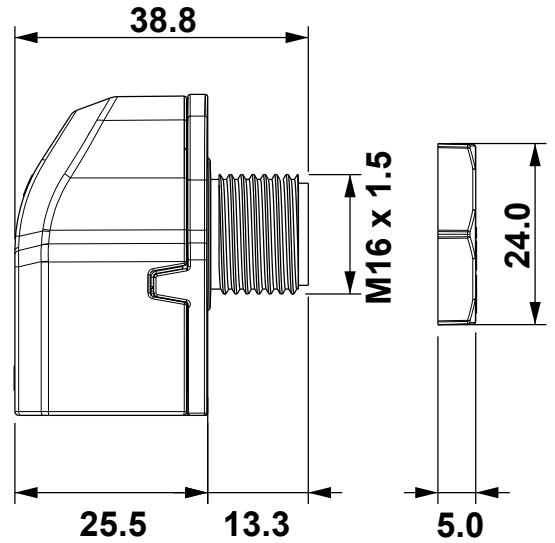
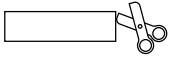


DIM.	TOL.
5mm DOWN	±0.2
5~20mm	±0.3
20~40mm	±0.4
40~60mm	±0.5
60~100mm	±0.8
100mm UP	±1.0

REVISIONS			
REV	DESCRIPTION	DATE	BY



Reccomended cut-out:
Ø16.5mm



	IP54	NEMA 12	UL TYPE 12					IK10
--	-------------	----------------	-------------------	--	--	--	--	-------------

Temperature: -40°C ... +130°C
Properties: halogen-free, silicone-free

Part Number	Color
15947FG01	BLACK
15947FG11	GREY

Compatible with:

Id	Description	Material	Q.ty
1	Top	PC	1
2	Bottom	PC	1
3	Locknut	PA	1
4	Gasket (not shown)	NBR	1

	Single	Double	Quadruple
From	15913PSxx	15927PSxx	15933PSxx
To	15922PSxx	15929PSxx	15935PSxx

		TITLE	
		DIVISIBLE CABLE GLANDS WITH 90° ENTRY	
PART NUMBER		MATERIAL	DATE
SEE TABLE		SEE TABLE	01/02/2022
DRAWING NUMBER		V0(UL94)	DRAWN
22.02.1.15947.0.E			A.C.
SIZE		COLOR	CHECK
A4	SCALE 1:1	SEE TABLE	
UNIT mm.	REV A	UNLESS OTHERWISE SPECIFIED TOLERANCE SEE ABOVE	APPROVED