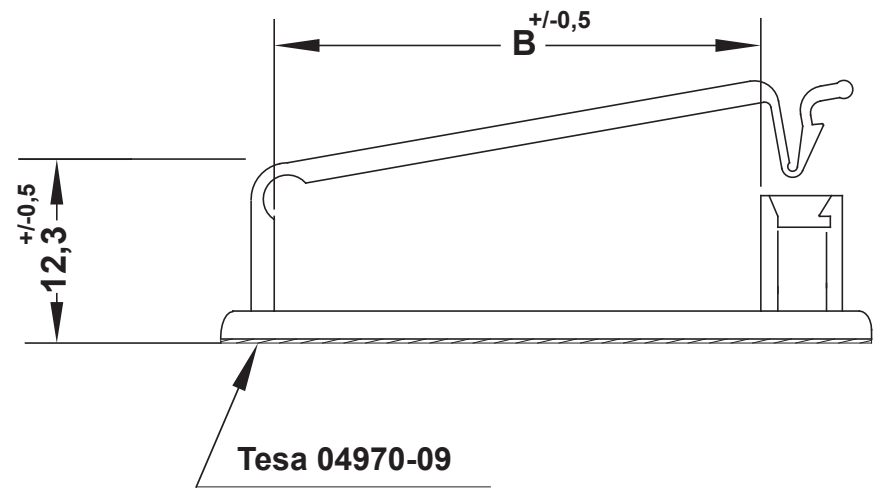
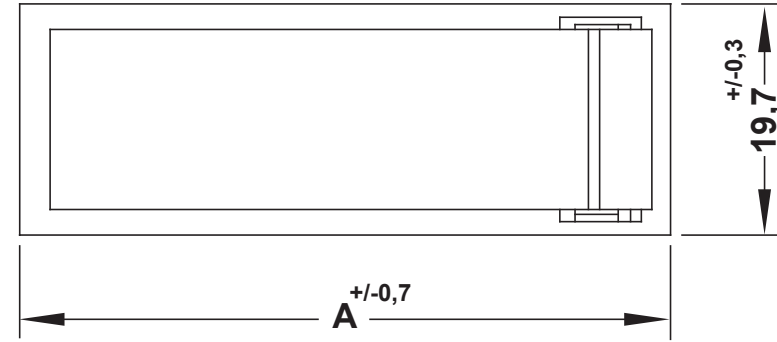


REVISIONS			
REV	DESCRIPTION	DATE	BY



P/N	A	B
15893AA00AS	77,6	64,0

	DESCRIPTION		TITLE: FLAT CABLE HOLDER		DWG UNIT: MM
	MATERIAL: PA6 V2(UL94)		Modelled in RHINO 4.0	FILE:	DwN: 06122115893AA00AS.
	COLOUR: NATURAL		TOLLERANCES	SHEET: 1 OF 1	DT: 06/12/2021 Part Number: SEE TABLE
			DIN ISO 2768 m	SCALE: NTS	
REV.					