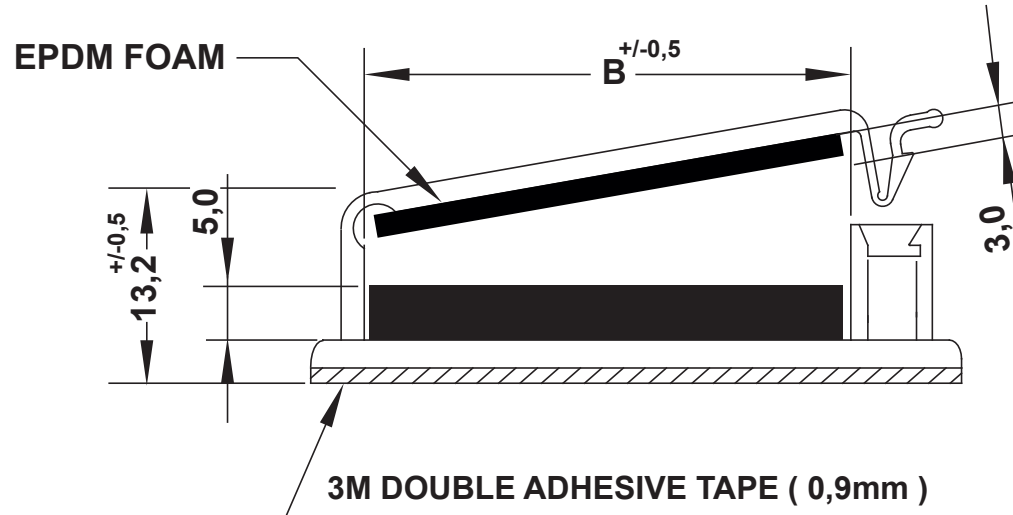
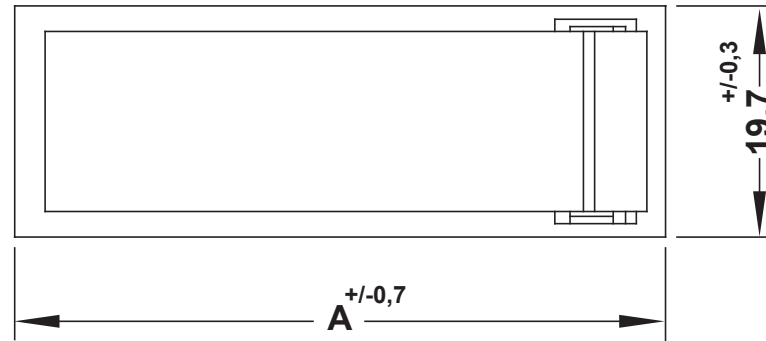


REVISIONS			
REV	DESCRIPTION	DATE	BY



P/N	A	B
15890AA00AS	54,0	40,0

	DESCRIPTION		<b>TITLE: FLAT CABLE HOLDER</b>		DWG UNIT: MM
	MATERIAL: PA6 V2(UL94)		Modelled in RHINO 4.0	FILE:	DwN: 0612211590AA00AS
	COLOUR: NATURAL		TOLLERANCES	SHEET: 1 OF 1	DT: 06/12/2021   Part Number: SEE TABLE
			DIN ISO 2768 m	SCALE: NTS	
REV.					