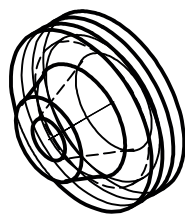
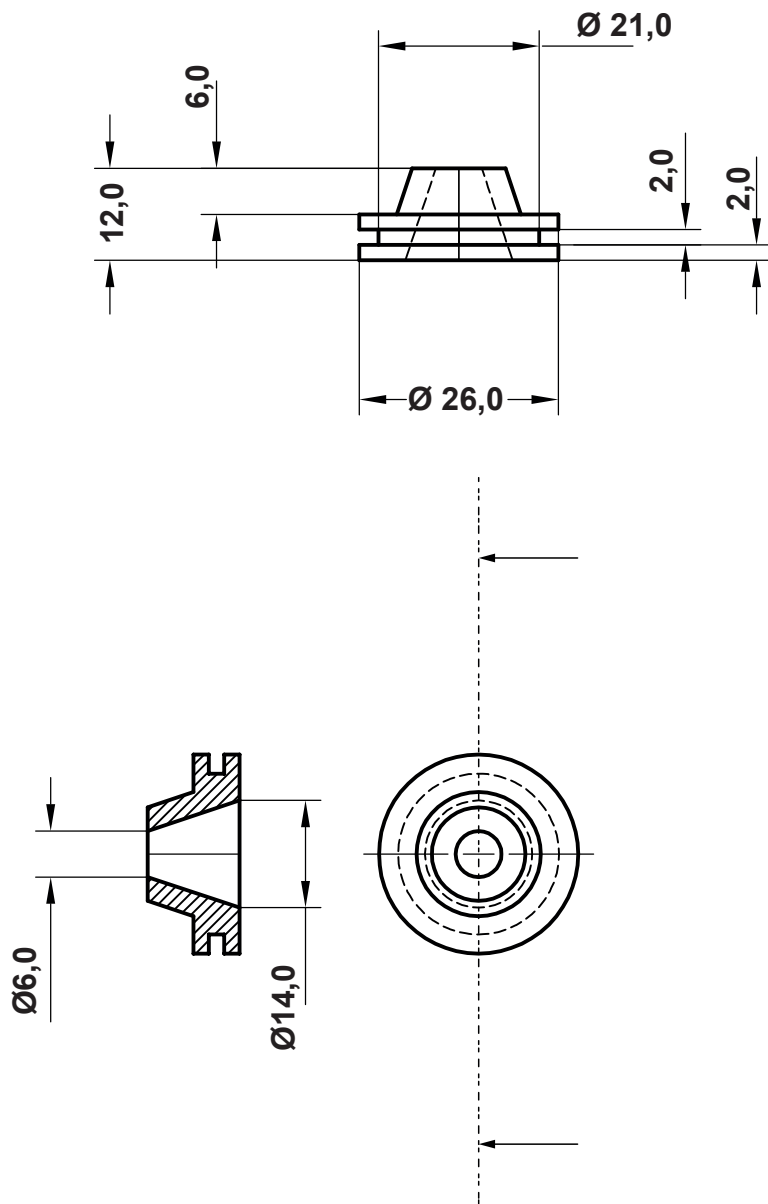



DIM.	TOL.
5mm DOWN	±0.2
5~20mm	±0.3
20~40mm	±0.4
40~60mm	±0.5
60~100mm	±0.8
100mm UP	±1.0

REVISIONS			
REV	DESCRIPTION	DATE	BY
00	Part No. setup	29.10.2021	S.W.



WORKING TEMPERATURE : -40°C to +200°C

				TITLE GROMMET	
				MATERIAL SILICON Shore A: 45 +/-5	
PART NUMBER 15822SI01		DRAWING NUMBER 23.03.14.15822.X		COLOR BLACK	
SIZE A4		SCALE NTS		DRAWN S.W.	
UNIT mm.		REV A		CHECK	
UNLESS OTHERWISE SPECIFIED TOLERANCE ISO-3302-1				APPROVED	