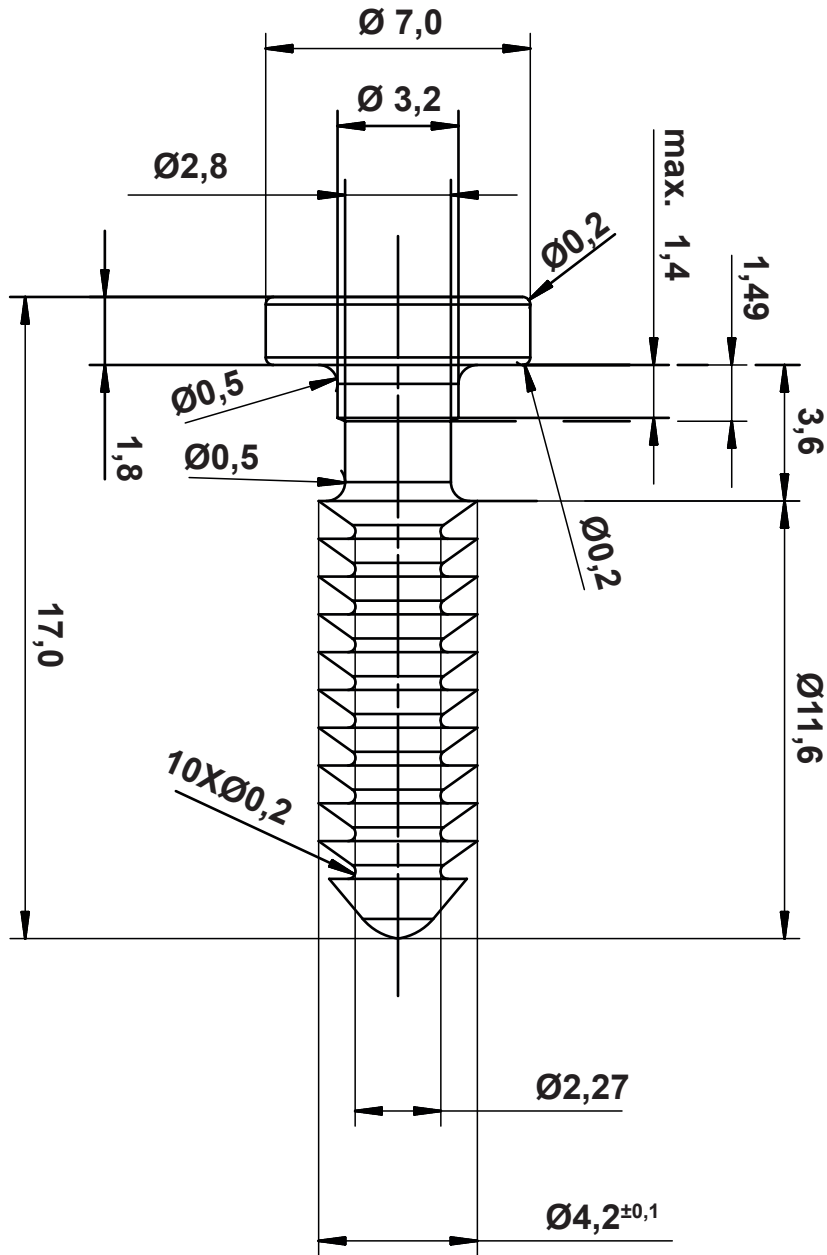



DIM.	TOL.
5mm DOWN	±0.2
5~20mm	±0.3
20~40mm	±0.4
40~60mm	±0.5
60~100mm	±0.8
100mm UP	±1.0

REVISIONS			
REV	DESCRIPTION	DATE	BY



MOUNTING HOLE: Ø3,6

		TITLE SEALING PLUG WITH FLAT WASHER	
		MATERIAL PA 6 V2(UL94)	DATE 13/03/2023
PART NUMBER 15784AA01		DRAWN A.C.	
DRAWING NUMBER 23/03/13.15784.X.E		CHECK	
SIZE A4	SCALE 5:1	COLOR BLACK	APPROVED
UNIT mm.	REV A	UNLESS OTHERWISE SPECIFIED TOLERANCE SEE ABOVE	