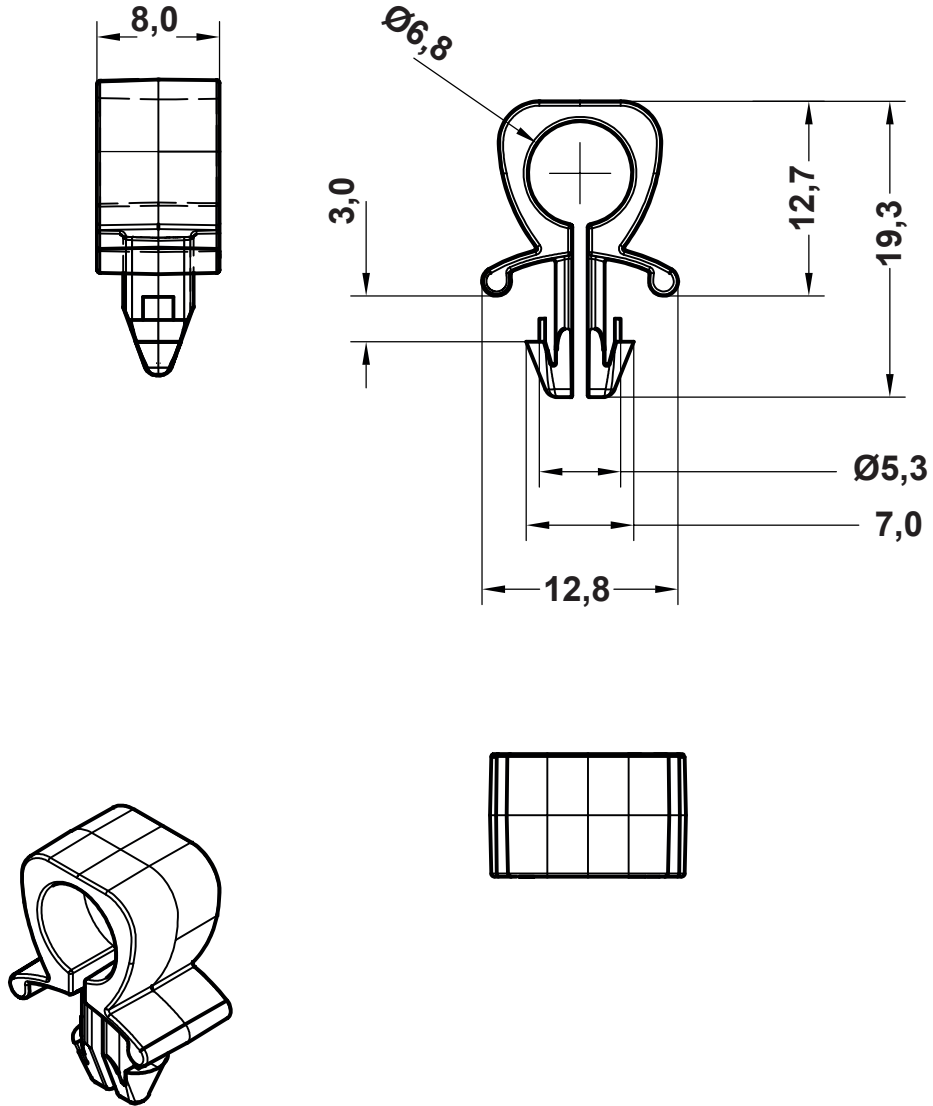


DIM.	TOL.
5mm DOWN	±0.2
5~20mm	±0.3
20~40mm	±0.4
40~60mm	±0.5
60~100mm	±0.8
100mm UP	±1.0

REVISIONS			
REV	DESCRIPTION	DATE	BY



MOUNTING HOLE: Ø5,0
THICKNESS: 2,5-4,0



TITLE OMEGA CLIP		MATERIAL PA 6		DATE 03.09.2021	
		COLOR BLACK		DRAWN A.C.	
PART NUMBER 15723AA01		DRAWING NUMBER 23/03/10.15723.X.E		CHECK APPROVED	
SIZE A4	SCALE NTS	UNIT mm.	REV A	UNLESS OTHERWISE SPECIFIED TOLERANCE SEE ABOVE	