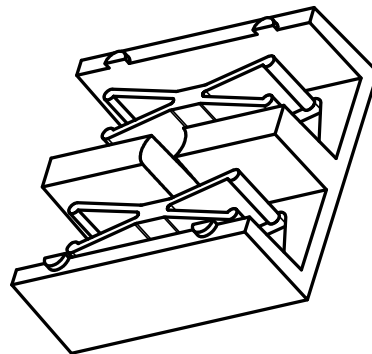
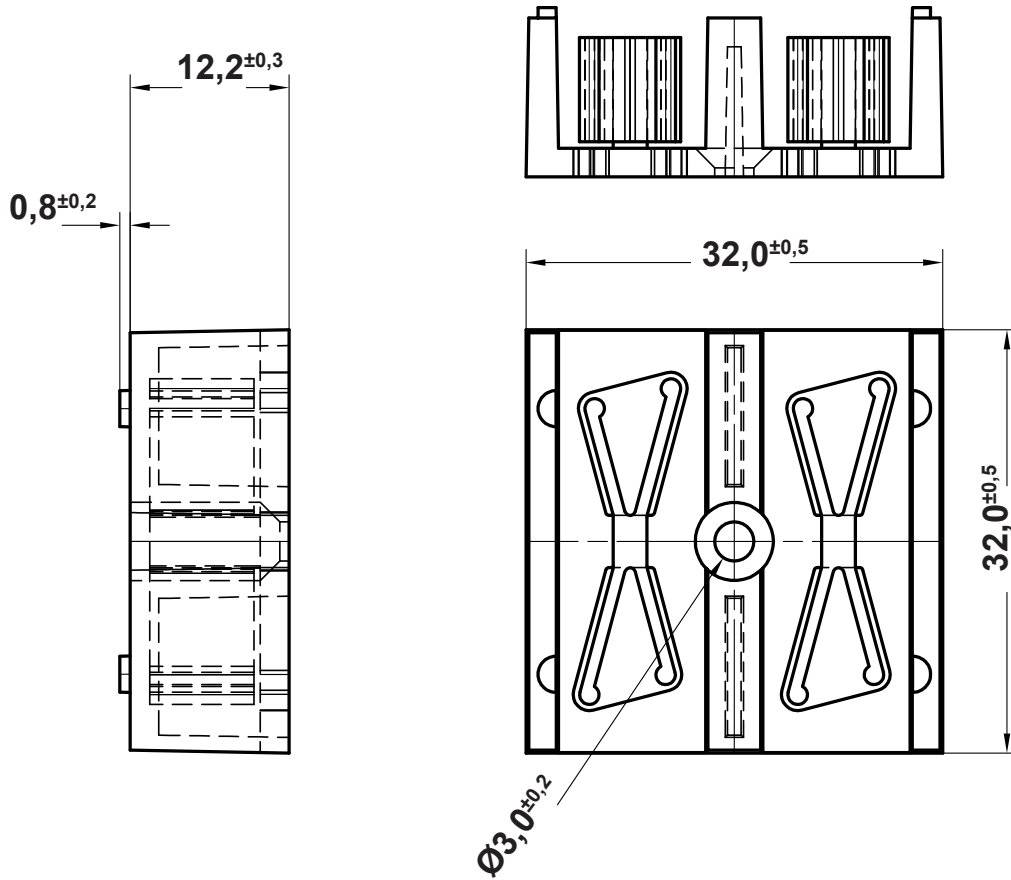



| DIM. | TOL. |
|----------|------|
| 5mm DOWN | ±0.2 |
| 5~20mm | ±0.3 |
| 20~40mm | ±0.4 |
| 40~60mm | ±0.5 |
| 60~100mm | ±0.8 |
| 100mm UP | ±1.0 |

| REVISIONS | | | |
|-----------|-----------------------------|--------|----|
| REV | DESCRIPTION | DATE | BY |
| 00 | Drawing setup | 06.05. | SW |
| 01 | Add Manufacturing Tolerance | 18.08. | SW |



on special request Material : PA 66 UL94V0 natural

| | | | | | |
|---|--------------|-------------|----------|---|--------------------|
|  | | | | TITLE SPLICE TRAY | |
| | | | | MATERIAL PA66 V2(UL94) | DATE 10/03/2023 |
| PART NUMBER 14972AA00 | | | | DRAWN A.C. | |
| | | | | COLOR Natural | |
| SIZE A4 | SCALE NTS | UNIT mm. | REV A | UNLESS OTHERWISE SPECIFIED TOLERANCE SEE ABOVE | |
| | | | | APPROVED | |