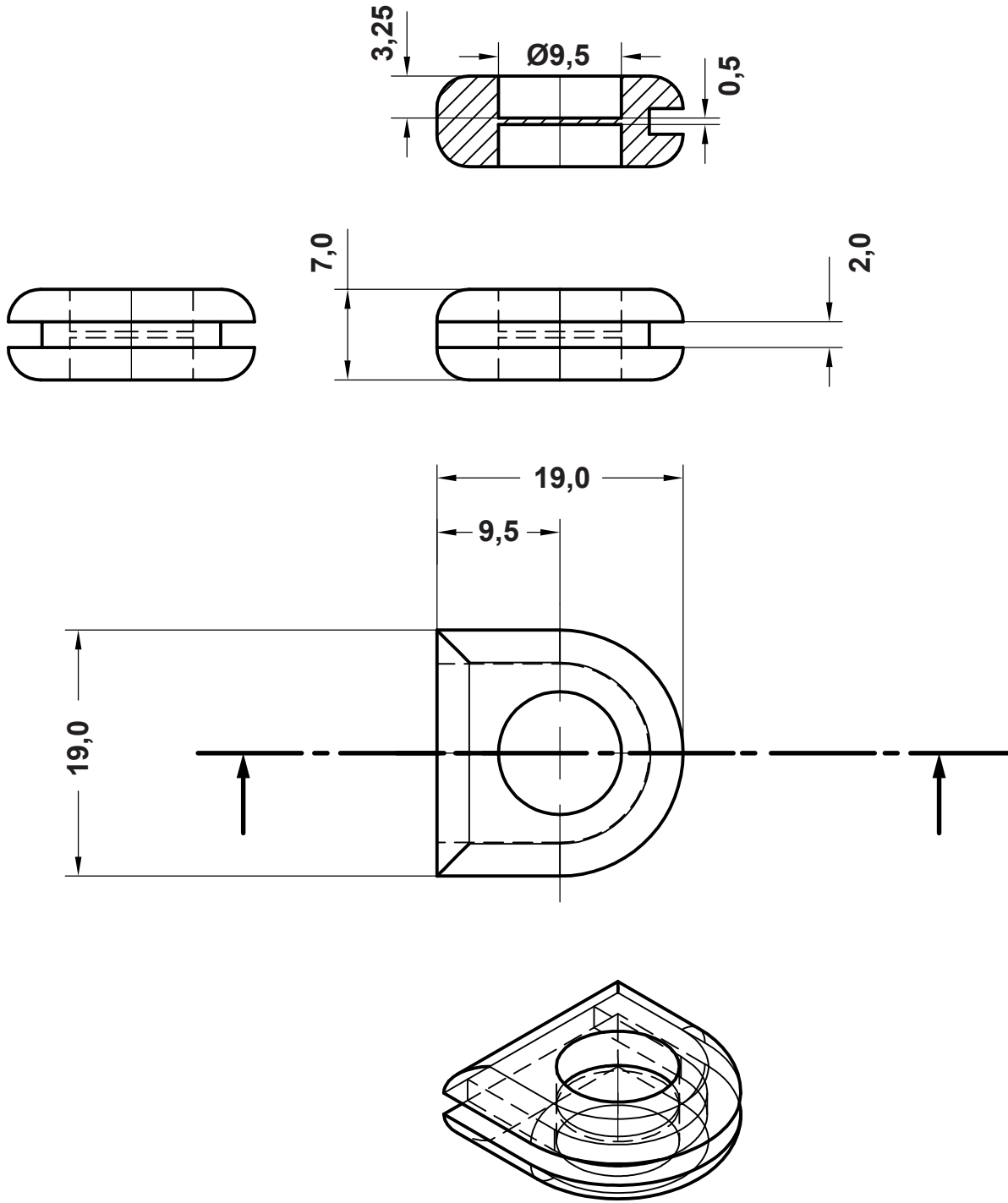



DIM.	TOL.
5mm DOWN	±0.2
5~20mm	±0.3
20~40mm	±0.4
40~60mm	±0.5
60~100mm	±0.8
100mm UP	±1.0

REVISIONS			
REV	DESCRIPTION	DATE	BY



		TITLE CABLE GLANDS	
		MATERIAL EPDM SHORE 60	DATE 06/03/2023
PART NUMBER 10898GS01M		DRAWING NUMBER 23/03/06.10898..X.E	
SIZE A4		SCALE 1:1	UNIT mm.
REV A		COLOR BLACK	CHECK
UNLESS OTHERWISE SPECIFIED TOLERANCE SEE ABOVE		APPROVED	