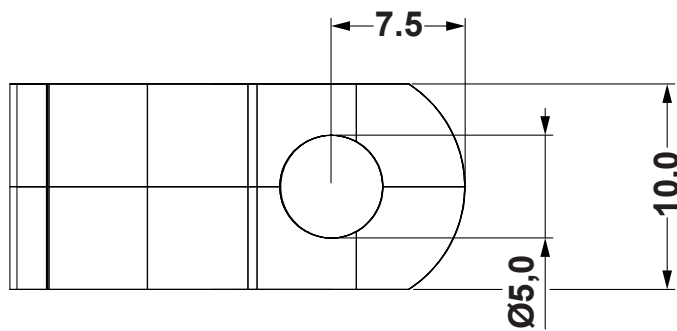
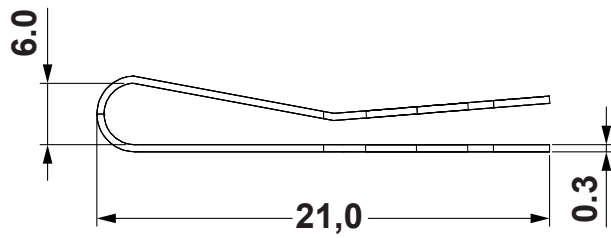


REVISIONS			
REV	DESCRIPTION	DATE	BY



TITLE
METAL CLAMPS

MATERIAL
GALVANIZED STEEL

DATE
20/09/2022

COLOR
FINISHING GALVANIZED

DRAWN
A.C.

PART NUMBER
4399MC94

DRAWING NUMBER
22.09.20.4399.0.E

CHECK

SIZE
A4

SCALE
NTS

UNIT
mm.

REV
A

UNLESS OTHERWISE SPECIFIED
TOLERANCE

APPROVED