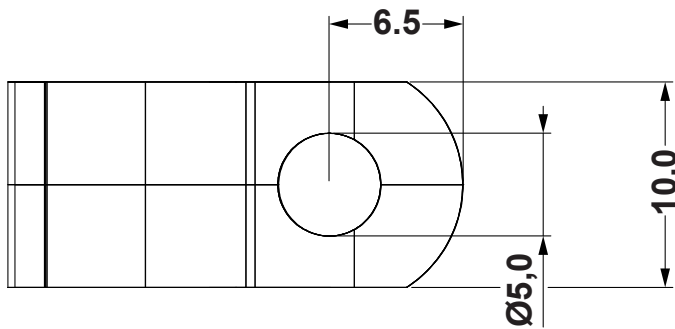
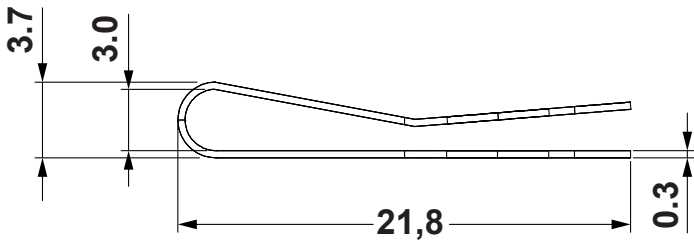
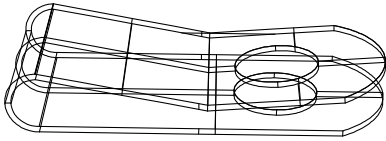


REVISIONS			
REV	DESCRIPTION	DATE	BY



TITLE **METAL CLAMPS**

MATERIAL GALVANIZED STEEL DATE 14/02/2023

COLOR FINISHING GALVANIZED DRAWN A.C.

PART NUMBER 4397MC94 DRAWING NUMBER 23.01.09.4397.0.E

CHECK

SIZE A4 SCALE NTS UNIT mm. REV A

UNLESS OTHERWISE SPECIFIED TOLERANCE APPROVED