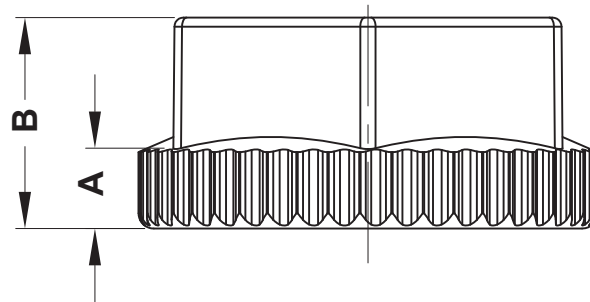
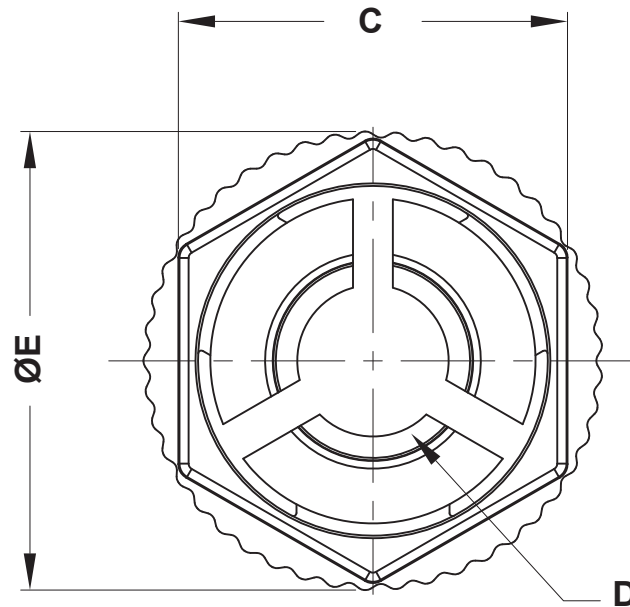



| DIM. | TOL. |
|----------|------|
| 5mm DOWN | ±0.2 |
| 5~20mm | ±0.3 |
| 20~40mm | ±0.4 |
| 40~60mm | ±0.5 |
| 60~100mm | ±0.8 |
| 100mm UP | ±1.0 |

| REVISIONS | | | |
|-----------|-------------|------|----|
| REV | DESCRIPTION | DATE | BY |
| | | | |
| | | | |



| P/N | A | B | C | D | ØE |
|-----------|-----|------|------|-----|------|
| 10438AA01 | 1,9 | 4,2 | 6,9 | M3 | 8,1 |
| 10439AA01 | 2,0 | 4,8 | 7,9 | M4 | 9,7 |
| 10440AA01 | 2,1 | 5,8 | 9,9 | M5 | 12,1 |
| 10441AA01 | 2,6 | 6,9 | 12,7 | M6 | 15,0 |
| 18306AA01 | 3,0 | 8,6 | 17,0 | M8 | 20,0 |
| 18307AA01 | 4,0 | 10,5 | 19,0 | M10 | 21,9 |

| | | | |
|---|--------------|-------------------------------------|--------------------|
|  | | TITLE SLIDE NUT | |
| | | MATERIAL PA 6.6 V2(UL94) | DATE 20/02/2023 |
| PART NUMBER SEE ABOVE | | DRAWING NUMBER 23/02/20.1043.X.E | |
| DRAWN A.C. | | CHECK | |
| SIZE A4 | SCALE 2:1 | UNIT mm. | REV A |
| UNLESS OTHERWISE SPECIFIED TOLERANCE SEE ABOVE | | APPROVED | |