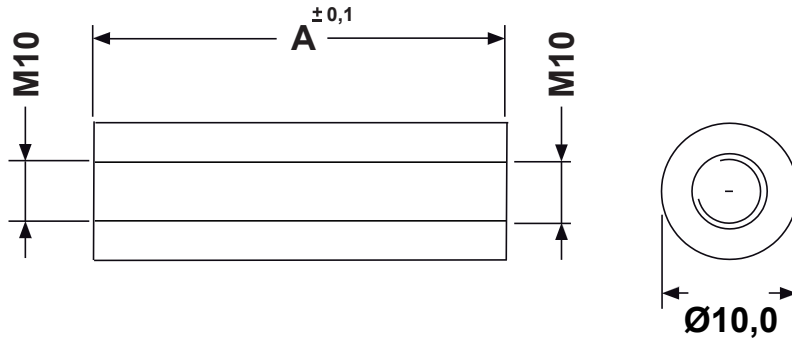



REVISIONS			
REV	DESCRIPTION	DATE	BY



P/N	A
10047BB0104.0	4.0
10047BB0105.0	5.0
10047BB0106.0	6.0
10047BB0107.0	7.0
10047BB0108.0	8.0
10047BB0109.0	9.0
10047BB0110.0	10.0
10047BB0111.0	11.0
10047BB0112.0	12.0
10047BB0113.0	13.0
10047BB0114.0	14.0
10047BB0115.0	15.0
10047BB0116.0	16.0
10047BB0117.0	17.0
10047BB0118.0	18.0
10047BB0119.0	19.0
10047BB0120.0	20.0

				TITLE <b>ROUND Ø 10,0 F/F SPACERS</b>	
				MATERIAL PA 6 25%GV HB(UL94)	DATE 19/05/2022
PART NUMBER SEE ABOVE				DRAWN A.C.	
				CHECK	
DRAWING NUMBER 22.05.19.10047.0.E		COLOR BLACK		UNLESS OTHERWISE SPECIFIED TOLERANCE SEE ABOVE	
SIZE A4	SCALE NTS	UNIT mm.	REV A	APPROVED	