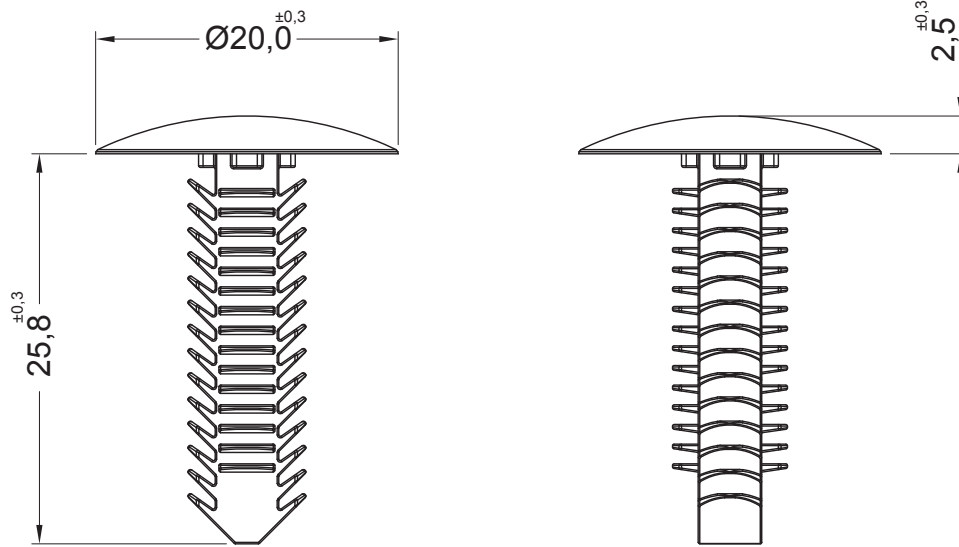



DIM.	TOL.
5mm DOWN	±0.2
5~20mm	±0.3
20~40mm	±0.4
40~60mm	±0.5
60~100mm	±0.8
100mm UP	±1.0

REVISIONS			
REV	DESCRIPTION	DATE	BY



MOUNTING HOLE: Ø 7,15
PANEL THICKNESS: 1,6 - 22,3

				TITLE SNAP RIVET	
				MATERIAL PA 66 V2(UL94)	DATE 27/07/2022
PART NUMBER 18219AA01				DRAWN A.C.	
				CHECK	
DRAWING NUMBER 22.07.27.18219.0.E				BLACK	
SIZE A4	SCALE 2:1	UNIT mm.	REV A	UNLESS OTHERWISE SPECIFIED TOLERANCE SEE ABOVE	
				APPROVED	