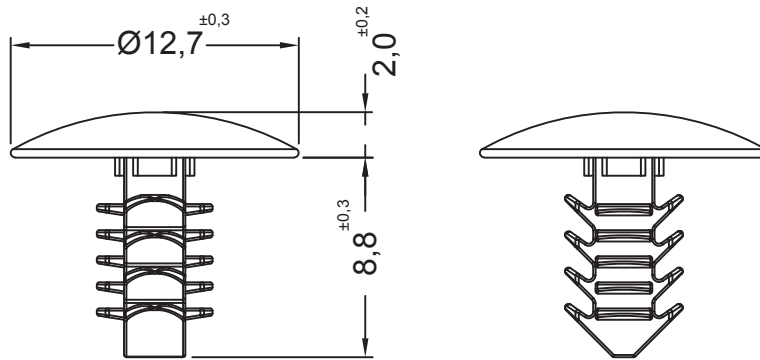



DIM.	TOL.
5mm DOWN	±0.2
5~20mm	±0.3
20~40mm	±0.4
40~60mm	±0.5
60~100mm	±0.8
100mm UP	±1.0

REVISIONS			
REV	DESCRIPTION	DATE	BY



P/N	COLOR
18215AA00	NATURAL
18215AA01	BLACK

MOUNTING HOLE: Ø4,8
PANEL THICKNESS: 1,6 - 6,4

		TITLE MOUNTING BUTTON	
		MATERIAL PA 66 V2(UL94)	DATE 27/07/2022
PART NUMBER SEE TABLE		DRAWN A.C.	
DRAWING NUMBER 22.07.27.18215.0.E		CHECK	
SIZE A4	SCALE 3:1	UNIT mm.	REV A
UNLESS OTHERWISE SPECIFIED TOLERANCE SEE ABOVE		APPROVED	