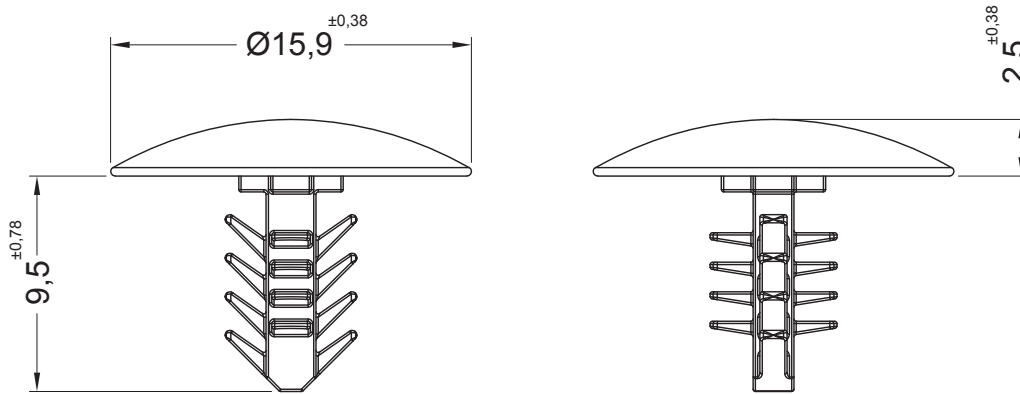



DIM.	TOL.
5mm DOWN	±0.2
5~20mm	±0.3
20~40mm	±0.4
40~60mm	±0.5
60~100mm	±0.8
100mm UP	±1.0

REVISIONS			
REV	DESCRIPTION	DATE	BY



MOUNTING HOLE: Ø5,25
PANEL THICKNESS: 1,57 - 6,35

				TITLE MOUNTING BUTTON	
				MATERIAL PA 66 V2(UL94)	DATE 27/07/2022
PART NUMBER 18214AA02				DRAWN A.C.	
				DRAWING NUMBER 22.07.27.18214.0.E	
SIZE A4				CHECK	
				UNLESS OTHERWISE SPECIFIED TOLERANCE SEE ABOVE	
SCALE 3:1		UNIT mm.		REV A	
APPROVED				RAL 9001	
				UNLESS OTHERWISE SPECIFIED TOLERANCE SEE ABOVE	