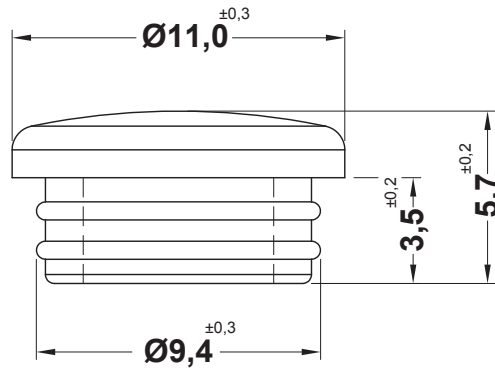
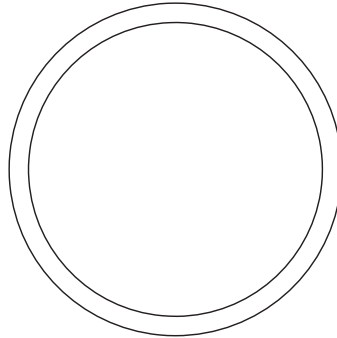



DIM.	TOL
L ≤ 10	±0.2
10 < L ≤ 30	±0.3
30 < L ≤ 50	±0.5
50 < L ≤ 100	±0.7
100 < L ≤ 250	±1.2
ABOVE 250	±1.5

REVISIONS			
REV	DESCRIPTION	DATE	BY



MOUNTING HOLES Ø 8,0

				TITLE HOLE PLUGS	
				MATERIAL TPE	
PART NUMBER 18232PS01				DRAWING NUMBER 22.07.28.18232X.E	
				COLOR BLACK	
SIZE A4	SCALE NTS	UNIT mm.	REV A	UNLESS OTHERWISE SPECIFIED TOLERANCE SEE ABOVE	
				APPROVED	