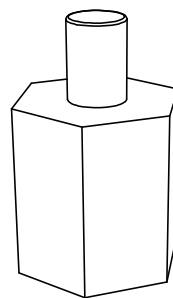
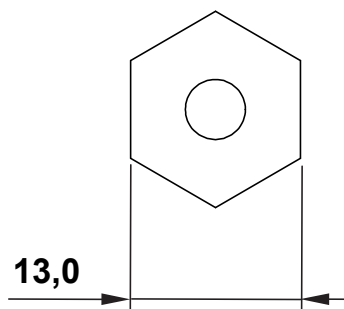
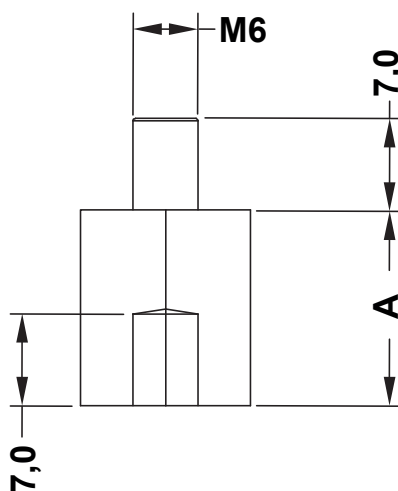


Dimensions	Tolerance
5mm DOWN	±0.2
5~20mm	±0.3
20~40mm	±0.4
40~60mm	±0.5
60~100mm	±0.8
100mm UP	±1.0


REVISIONS			
REV	DESCRIPTION	DATE	BY



P/N	A
10490DA1115.0	15.0
10490DA1120.0	20.0
10490DA1125.0	25.0
10490DA1130.0	30.0
10490DA1140.0	40.0
10490DA1145.0	45.0
10490DA1150.0	50.0



Material: Polystyrol
Thread insert: Steel zinc plated
Flammability: HB (UL 94)
Working temperature: -15°C ~ + 90°C
Dielectric strength: 50kV

				TITLE INSULATING POLYSTYROL AND STEEL P.C.B. SPACERS	
				MATERIAL SEE ABOVE	
PART NUMBER SEE TABLE				DRAWING NUMBER 22.03.22.10487.0.E	
				COLOR GREY	
SIZE A4		SCALE NTS		UNLESS OTHERWISE SPECIFIED TOLERANCE SEE ABOVE	
UNIT mm.		REV A		APPROVED	