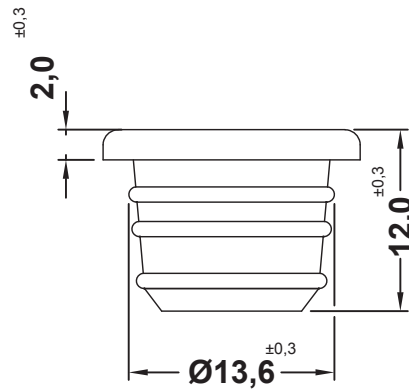
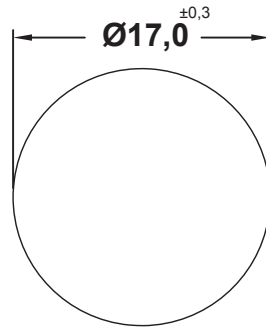



DIM.	TOL
L ≤ 10	±0.2
10 < L ≤ 30	±0.3
30 < L ≤ 50	±0.5
50 < L ≤ 100	±0.7
100 < L ≤ 250	±1.2
ABOVE 250	±1.5

REVISIONS			
REV	DESCRIPTION	DATE	BY



MOUNTING HOLES: Ø 12,0

				TITLE SEAL PLUG	
				MATERIAL SILICON RUBBER	
PART NUMBER 18235SI01				DRAWING NUMBER 22.07.28.18235X.E	
				UL94V-0	
SIZE A4				SCALE 2:1	
				UNIT mm.	
COLOR BLACK				CHECK	
UNLESS OTHERWISE SPECIFIED TOLERANCE SEE ABOVE				APPROVED	