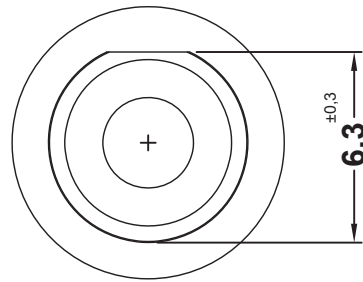
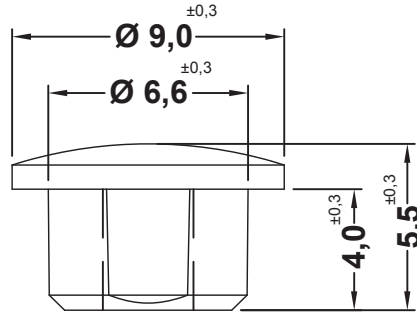


DIM.	TOL
L ≤ 10	±0.2
10 < L ≤ 30	±0.3
30 < L ≤ 50	±0.5
50 < L ≤ 100	±0.7
100 < L ≤ 250	±1.2
ABOVE 250	±1.5

REVISIONS			
REV	DESCRIPTION	DATE	BY



**MOUNTING HOLE  $\varnothing 6,35$**

P/N	COLOR
18227PS01	BLACK
18227PS02	WHITE
18227PS00	NATURAL



				TITLE <b>HOLE PLUGS</b>	
				MATERIAL TPE	
PART NUMBER SEE TABLE				DRAWING NUMBER 22.07.27.18227X.E	
				DRAWN A.C.	
SIZE A4				SCALE 4:1	
UNIT mm.				REV A	
COLOR SEE TABLE				UNLESS OTHERWISE SPECIFIED TOLERANCE SEE ABOVE	
APPROVED					