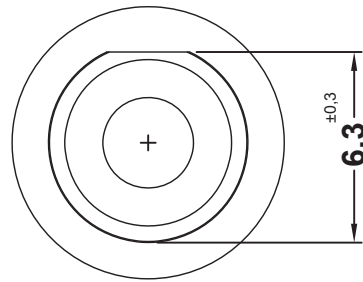
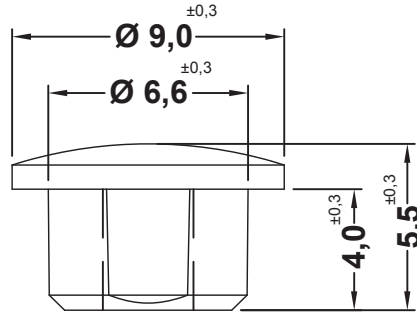



DIM.	TOL
L ≤ 10	±0.2
10 < L ≤ 30	±0.3
30 < L ≤ 50	±0.5
50 < L ≤ 100	±0.7
100 < L ≤ 250	±1.2
ABOVE 250	±1.5

REVISIONS			
REV	DESCRIPTION	DATE	BY



MOUNTING HOLE $\varnothing 6,35$

P/N	COLOR
18226SI01	BLACK
18226SI02	WHITE

				TITLE HOLE PLUGS	
				MATERIAL SILICON	
PART NUMBER SEE TABLE				DRAWN A.C.	
DRAWING NUMBER 22.07.27.18226X.E				CHECK	
COLOR SEE TABLE				APPROVED	
SIZE A4	SCALE 4:1	UNIT mm.	REV A	UNLESS OTHERWISE SPECIFIED TOLERANCE SEE ABOVE	