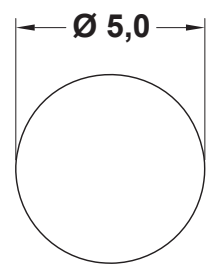
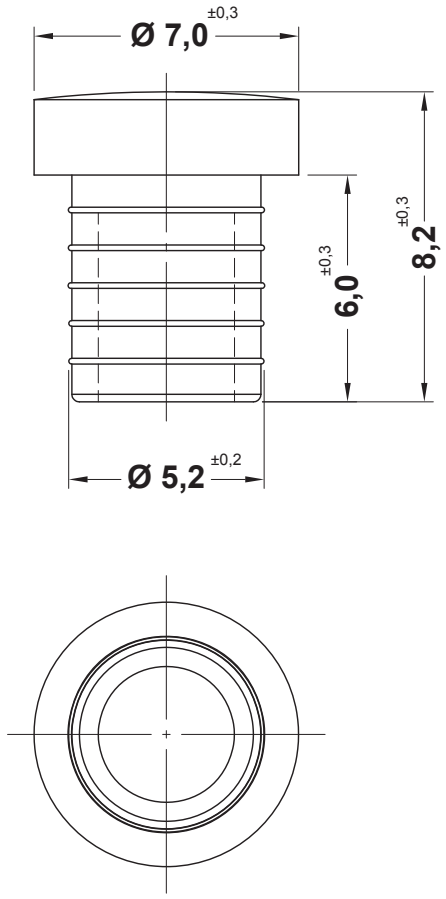



| DIM. | TOL |
|---------------|------|
| L ≤ 10 | ±0.2 |
| 10 < L ≤ 30 | ±0.3 |
| 30 < L ≤ 50 | ±0.5 |
| 50 < L ≤ 100 | ±0.7 |
| 100 < L ≤ 250 | ±1.2 |
| ABOVE 250 | ±1.5 |

| REVISIONS | | | |
|-----------|-------------|------|----|
| REV | DESCRIPTION | DATE | BY |
| | | | |
| | | | |



MOUNTING HOLE

| | | | | | |
|---|--------------|-------------|----------|---|--|
|  | | | | TITLE HOLE PLUGS | |
| | | | | MATERIAL TPE | |
| PART NUMBER 18223PS01 | | | | DRAWING NUMBER 22.07.27.18223X.E | |
| COLOR BLACK | | | | CHECK | |
| SIZE A4 | SCALE 5:1 | UNIT mm. | REV A | UNLESS OTHERWISE SPECIFIED TOLERANCE SEE ABOVE | |
| | | | | APPROVED | |