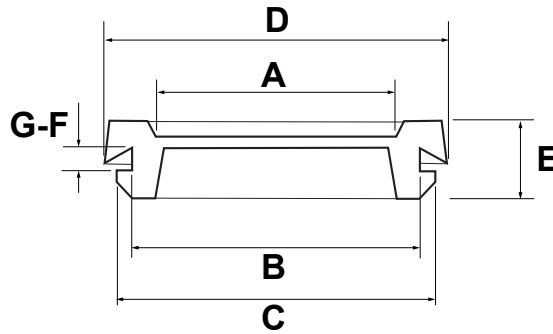


DIM.	TOL.
5mm DOWN	±0.2
5~20mm	±0.3
20~40mm	±0.4
40~60mm	±0.5
60~100mm	±0.8
100mm UP	±1.0

REVISIONS			
REV	DESCRIPTION	DATE	BY



P/N	A	B	C	D	E	G/F	MATERIAL
16468PS01	9,0	15,5	18,5	20,0	7,0	1,0-2,0	TPE-SEPS
16469PS01	11,0	18,5	21,5	23,0	7,0	1,0-2,0	TPE-SEPS
16470PS01	13,5	20,5	23,5	25,0	7,0	1,0-2,0	TPE-SEPS
16471PS01	16,0	22,5	26,0	28,0	7,0	1,0-2,0	TPE-SEPS
16472PS01	21,0	28,0	32,0	35,0	9,0	1,0-3,0	TPE-SEPS
16473PS01	29,0	37,0	41,0	44,0	10,0	1,0-3,0	TPE-SEPS
16474PS01	36,0	47,0	51,0	54,0	12,0	1,5-3,0	TPE-SEPS
16475PS01	48,0	60,0	64,0	68,0	12,0	1,5-3,0	TPE-SEPS
17856PS01	53,0	64,0	70,0	75,0	12,0	1,5-3,0	TPE-SEPS
17863PS01	69,0	79,5	84,0	90,0	12,0	1,5-3,0	TPE-SEPS
16468PV01	9,0	15,5	18,5	20,0	7,0	1,0-2,0	TPE-SEPS V0
16469PV01	11,0	18,5	21,5	23,0	7,0	1,0-2,0	TPE-SEPS V0
16470PV01	13,5	20,5	23,5	25,0	7,0	1,0-2,0	TPE-SEPS V0
16471PV01	16,0	22,5	26,0	28,0	7,0	1,0-2,0	TPE-SEPS V0
16472PV01	21,0	28,0	32,0	35,0	9,0	1,0-3,0	TPE-SEPS V0
16473PV01	29,0	37,0	41,0	44,0	10,0	1,0-3,0	TPE-SEPS V0
16474PV01	36,0	47,0	51,0	54,0	12,0	1,5-3,0	TPE-SEPS V0
16475PV01	48,0	60,0	64,0	68,0	12,0	1,5-3,0	TPE-SEPS V0
17856PV01	53,0	64,0	70,0	75,0	12,0	1,5-3,0	TPE-SEPS V0

WORKING TEMPERATURE: -40°C ... + 100°C
PROTECTION IP54

		TITLE MEMBRANE CABLE GLANDS IP54	
		MATERIAL SEE ABOVE	DATE 24/05/2022
PART NUMBER SEE ABOVE		DRAWN A.C.	
		DRAWING NUMBER 22.05.24.16465.0.E	
SIZE A4		COLOR BLACK	
SCALE NTS		CHECK	
UNIT mm.		UNLESS OTHERWISE SPECIFIED TOLERANCE SEE ABOVE	
REV A		APPROVED	