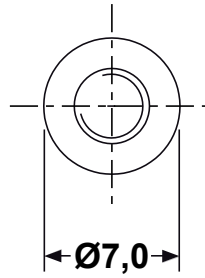
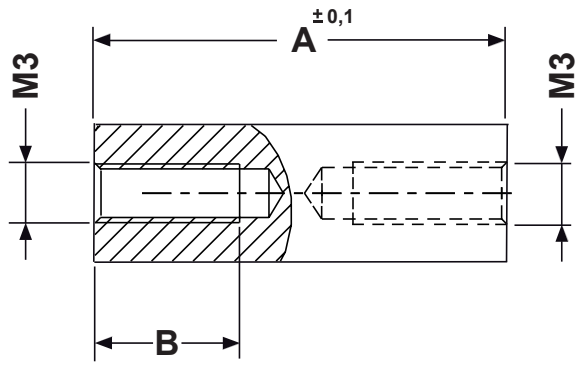



REVISIONS			
REV	DESCRIPTION	DATE	BY



FROM A 5,0 TO A 14,0 THROUGH

P/N	A	B
10042BB0103.0	3.0	-
10042BB0104.0	4.0	-
10042BB0105.0	5.0	-
10042BB0106.0	6.0	-
10042BB0107.0	9.0	-
10042BB0108.0	10.0	-
10042BB0109.0	11.0	-
10042BB0110.0	12.0	-
10042BB0111.0	13.0	-
10042BB0112.0	14.0	-
10042BB0113.0	15.0	7.0
10042BB0114.0	16.0	7,5
10042BB0115.0	17.0	8.0
10042BB0116.0	18.0	8,5
10042BB0117.0	19.0	9.0
10042BB0118.0	20.0	9,5
10042BB0119.0	21.0	10.0
10042BB0120.0	22.0	10.0
10042BB0121.0	23.0	10.0
10042BB0122.0	24.0	10.0
10042BB0123.0	25.0	10.0
10042BB0124.0	26.0	10.0
10042BB0125.0	27.0	10.0
10042BB0126.0	28.0	10.0
10042BB0127.0	29.0	10.0
10042BB0128.0	30.0	10.0
10042BB0129.0	31.0	10.0
10042BB0130.0	32.0	10.0
10042BB0131.0	33.0	10.0
10042BB0132.0	34.0	10.0

P/N	A	B
10042BB0132.0	33.0	10.0
10042BB0133.0	33.0	10.0
10042BB0134.0	34.0	10.0
10042BB0135.0	35.0	10.0
10042BB0136.0	36.0	10.0
10042BB0137.0	37.0	10.0
10042BB0138.0	38.0	10.0
10042BB0140.0	40.0	10.0
10042BB0141.0	41.0	10.0
10042BB0142.0	42.0	10.0
10042BB0143.0	43.0	10.0
10042BB0144.0	44.0	10.0
10042BB0145.0	45.0	10.0
10042BB0146.0	46.0	10.0
10042BB0147.0	47.0	10.0
10042BB0148.0	48.0	10.0
10042BB0149.0	49.0	10.0
10042BB0150.0	50.0	10.0
10042BB0151.0	51.0	10.0
10042BB0152.0	52.0	10.0
10042BB0153.0	53.0	10.0
10042BB0154.0	54.0	10.0
10042BB0155.0	55.0	10.0
10042BB0156.0	56.0	10.0
10042BB0157.0	57.0	10.0
10042BB0158.0	58.0	10.0
10042BB0159.0	59.0	10.0
10042BB0160.0	60.0	10.0
10042BB0161.0	61.0	10.0
10042BB0162.0	62.0	10.0

		TITLE ROUND Ø 7,0 F/F SPACERS	
		MATERIAL PA 6 25%GV HB(UL94)	DATE 18/05/2022
PART NUMBER SEE ABOVE		DRAWING NUMBER 22.05.18.10041.0.E	
SIZE A4	SCALE NTS	COLOR BLACK	DRAWN A.C.
UNIT mm.	REV A	CHECK	APPROVED
		UNLESS OTHERWISE SPECIFIED TOLERANCE SEE ABOVE	