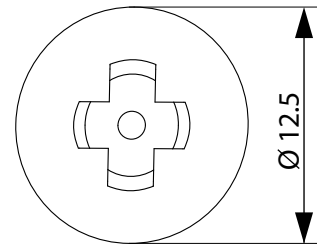
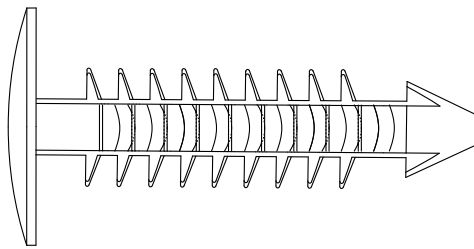
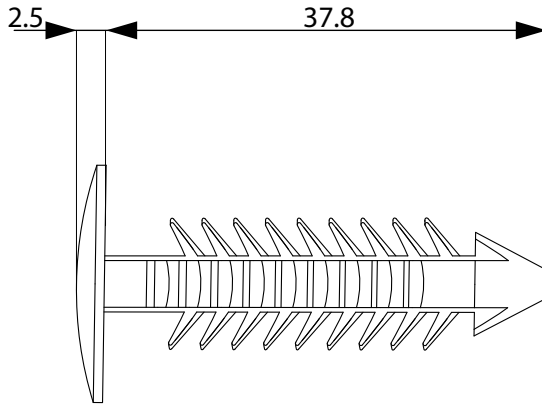


DIM.	TOL.
5mm DOWN	±0.2
5~20mm	±0.3
20~40mm	±0.4
40~60mm	±0.5
60~100mm	±0.8
100mm UP	±1.0

REVISIONS			
REV	DESCRIPTION	DATE	BY



HOLE SIZE	PANEL RANGE	
Ø 6,4	MIN. 0,9	MAX. 26,5



				TITLE		PINE TREE CLIP					
				MATERIAL		PA66		DATE		20/10/2022	
				DRAWN		A.C.		CHECK			
PART NUMBER		DRAWING NUMBER		COLOR		CHECK					
8217AA01		22.10.20.8216.0.E		BLACK							
SIZE	SCALE	UNIT	REV	UNLESS OTHERWISE SPECIFIED TOLERANCE		APPROVED					
A4	NTS	mm	A	SEE ABOVE							