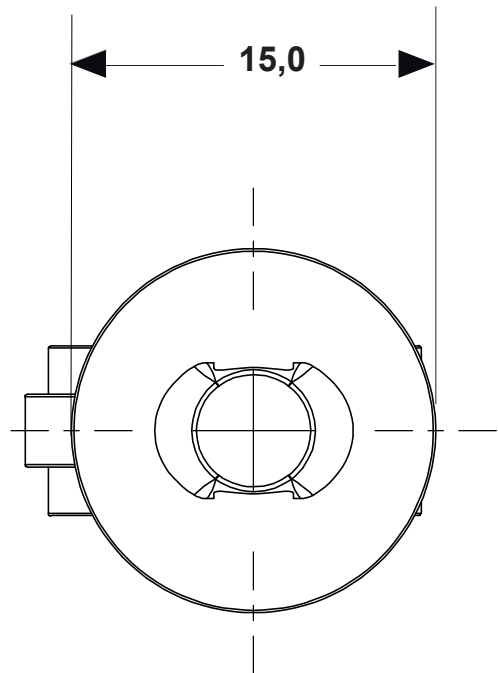
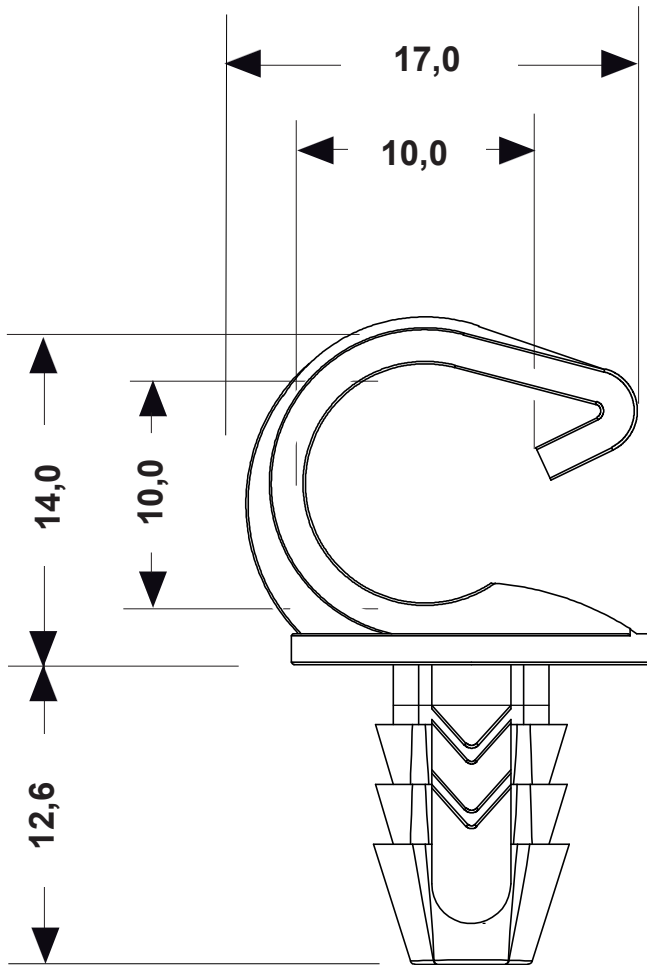


| REVISIONS |             |      |    |
|-----------|-------------|------|----|
| REV       | DESCRIPTION | DATE | BY |
|           |             |      |    |
|           |             |      |    |



**MOUNTING HOLE Ø 6,5**  
**PANEL THICKNESS 2,5 - 7,5**  
**WORKING TEMPERATURE -35°C +85°C**



|  |                     |  |                 |  |  |
|--|---------------------|--|-----------------|--|--|
| <b>TITLE</b><br><b>WIRE AND PIPE CLIPS - LATERAL OPENING</b> |                     | <b>MATERIAL</b><br>PA 66 V2(UL94)          |                 | <b>DATE</b><br>09/12/2021                              |  |
|  |                     | <b>COLOR</b><br>BLACK                      |                 | <b>DRAWN</b><br>A.C.                                   |  |
| <b>PART NUMBER</b><br>5292AA01                               |                     | <b>DRAWING NUMBER</b><br>21.12.09.5292AA01 |                 | <b>CHECK</b><br>(blank)                                |  |
| <b>SIZE</b><br>A4  | <b>SCALE</b><br>NTS | <b>UNIT</b><br>mm.                         | <b>REV</b><br>A | <b>UNLESS OTHERWISE SPECIFIED TOLERANCE</b><br>(blank) |  |
|  |                     |  |                 | <b>APPROVED</b><br>(blank)                             |  |