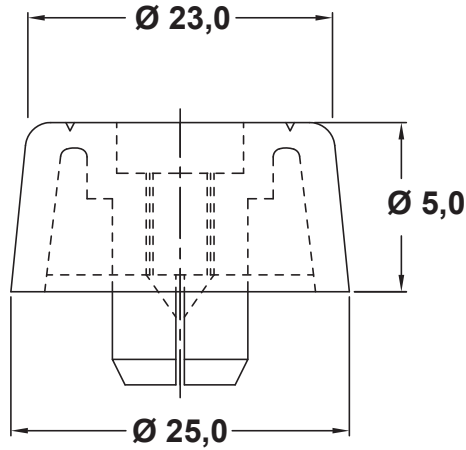


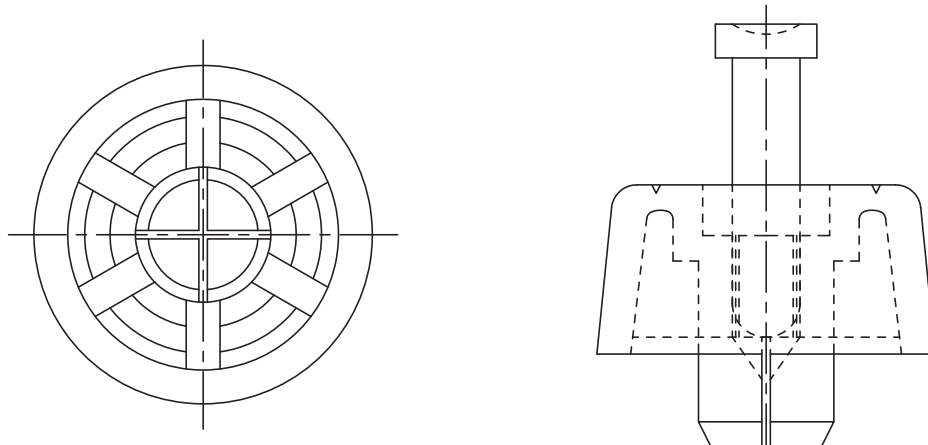
DIMENSION	TOLERANCE
$L \leq 4$	± 0.10
$4 < L \leq 15$	± 0.20
$15 < L \leq 50$	± 0.30
$50 < L \leq 100$	± 0.40

REVISIONS			
REV	DESCRIPTION	DATE	BY

BODY



ASSEMBLY



NOTES:


MOUNTING HOLE $\text{Ø } 7,7 - 7,8$

PANEL THICKNESS 0,8 - 1,6

MATERIAL BODY: TPV HB(UL94)

MATERIAL PIN: PP HB(UL94)

RoHS COMPLIANT

				TITLE FAST FIX FOOT	
				MATERIAL SEE ABOVE	DATE 20/09/2022
PART NUMBER 9816EA01				DRAWN A.C.	
				DRAWING NUMBER 22.09.20.9816.0.E	
SIZE A4				COLOR BLACK	
				CHECK	
SCALE NTS		UNIT mm.		UNLESS OTHERWISE SPECIFIED TOLERANCE SEE ABOVE	
REV A		APPROVED			