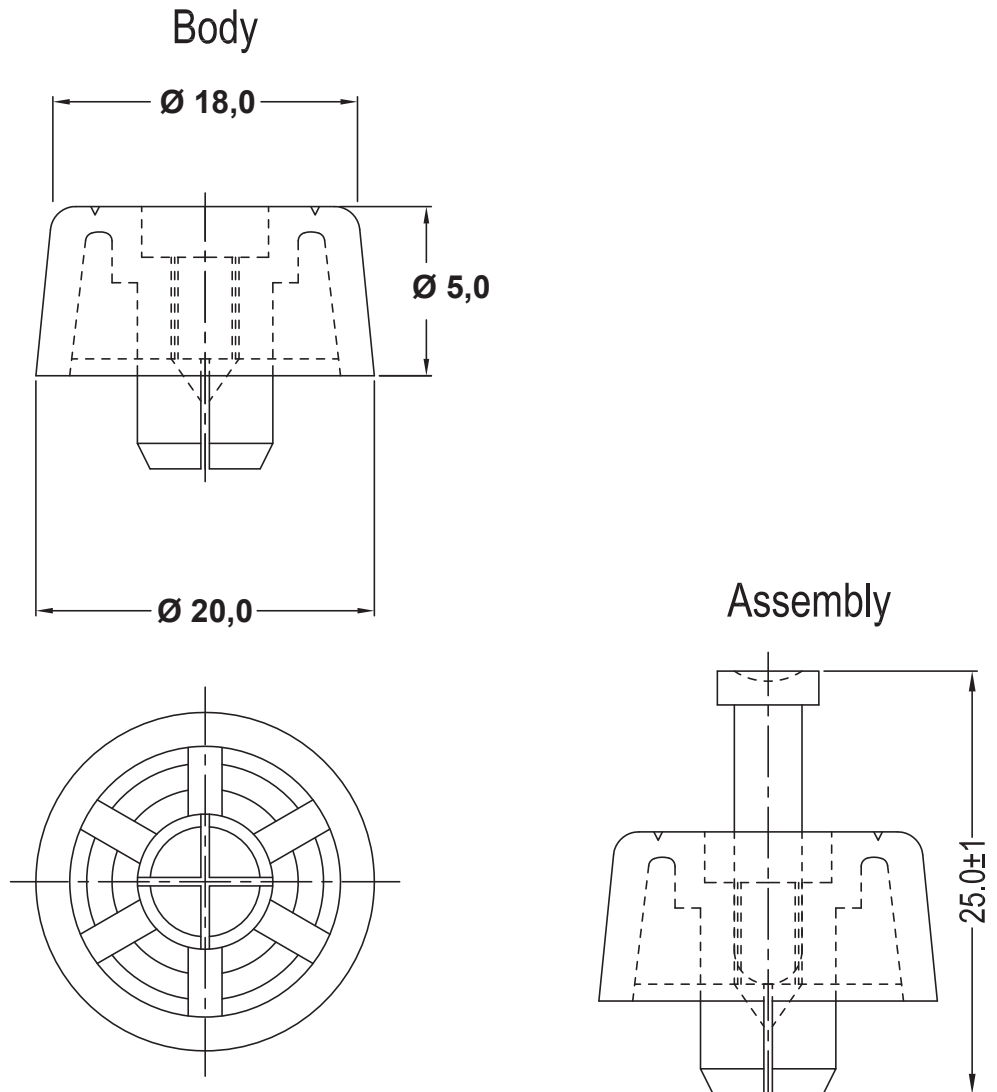



DIMENSION	TOLERANCE
$L \leq 4$	± 0.10
$4 < L \leq 15$	± 0.20
$15 < L \leq 50$	± 0.30
$50 < L \leq 100$	± 0.40

REVISIONS			
REV	DESCRIPTION	DATE	BY



NOTES:
MOUNTING HOLE Ø 7,7 - 7,8
PANEL THICKNESS 0,8 - 1,6
MATERIAL BODY: TPV HB(UL94)
MATERIAL PIN: PP HB(UL94)
RoHS COMPLIANT

				TITLE SOFT FAST FOOT	
				MATERIAL SEE ABOVE	
PART NUMBER 9814EA01				DRAWING NUMBER 22.09.20.9814.0.E	
DRAWING NUMBER 22.09.20.9814.0.E				CHECK	
DRAWING NUMBER 22.09.20.9814.0.E				DRAWN A.C.	
DRAWING NUMBER 22.09.20.9814.0.E				COLOR BLACK	
DRAWING NUMBER 22.09.20.9814.0.E				UNLESS OTHERWISE SPECIFIED TOLERANCE SEE ABOVE	
PART NUMBER 9814EA01		DRAWING NUMBER 22.09.20.9814.0.E		APPROVED	
SIZE A4	SCALE NTS	UNIT mm.	REV A		