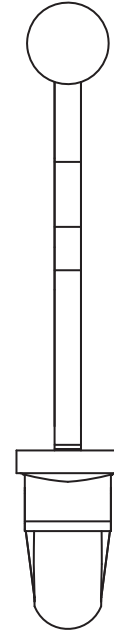
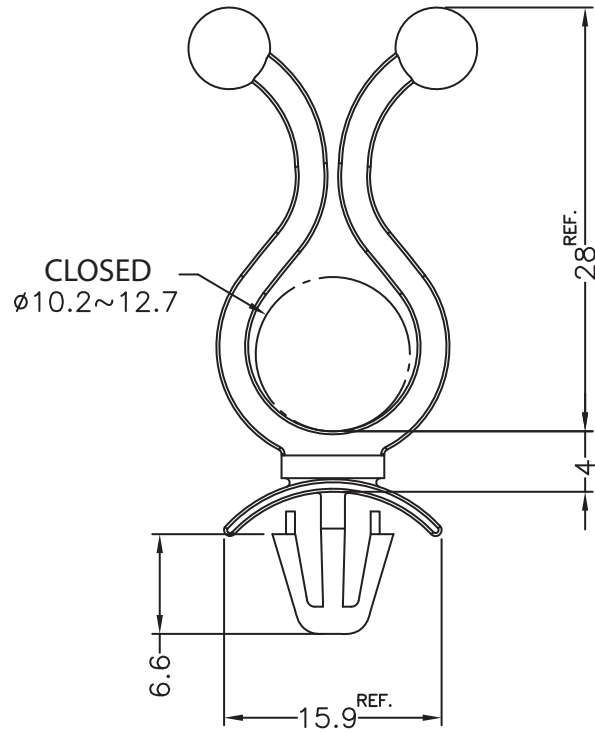


Dimensions	Tolerance
5mm DOWN	±0.2
5~20mm	±0.3
20~40mm	±0.4
40~60mm	±0.5
60~100mm	±0.8
100mm UP	±1.0



MOUNTING HOLE  $\phi 6$   
CHASSIS THICKNESS 0.78~2.0mm

REV.	DESCRIPTION	DATE	TITLE: <b>TWIST LOCK</b>	DWG UNIT: MM
	MATERIAL: PA 66 (UL) 94 V-2		Modelled in RHINO 4.0	FILE:
	COLOUR: NATURAL		TOLLERANCES UNLESS NOTED	DwN: 27/05/14
			.XX= +/-010	DT: 14.27.05.8287.E.0
			.XXX= +/-005	ChkD:
			FRAC.= +/- 1/64	Part Number: 8287AA00
			ANG.= +/-1°	
			SHEET: 1 OF 1	
			SCALE:	
			NTS	

