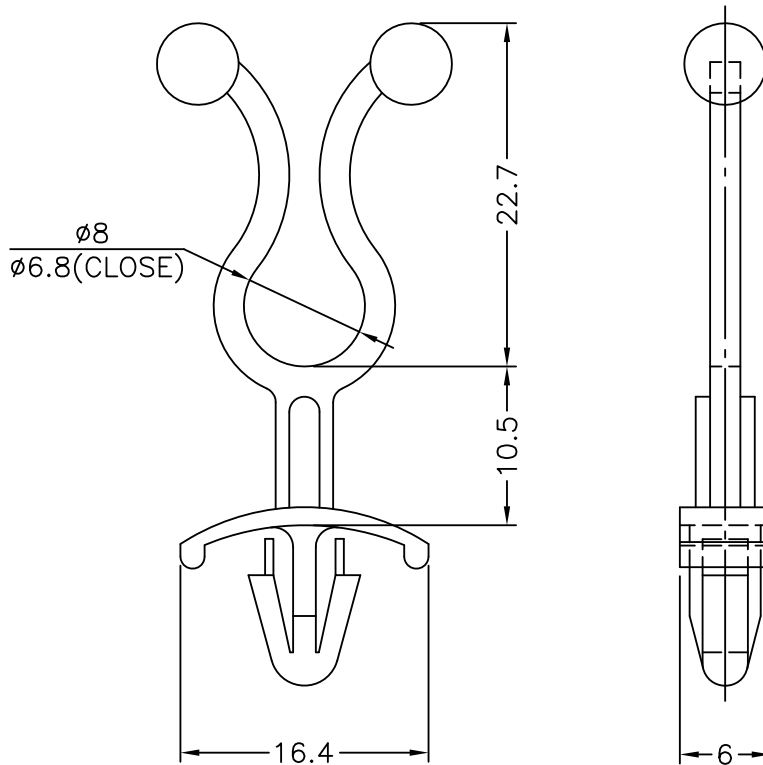



DIM.	TOL
L < 5	±0.2
5 < L ≤ 20	±0.3
20 < L ≤ 40	±0.5
40 < L ≤ 60	±0.7
60 < L ≤ 100	±0.8
ABOVE 100	±1.0

REVISIONS			
REV	DESCRIPTION	DATE	BY



CHASSIS THICKNESS: 1.2~2.8  
MOUNTING HOLE: ø5.0

				TITLE PUSH MOUNT TWIST LOCK	
				MATERIAL PA66 UL94-V2	
PART NUMBER 6551AA00				DRAWING NUMBER 13.08.07.6551.E.0	
				FINISH	
SIZE A4				COLOR NATURAL	
				SCALE 2:1	
UNIT mm				UNLESS OTHERWISE SPECIFIED TOLERANCE SEE ABOVE	
				REV	